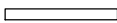
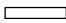

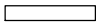

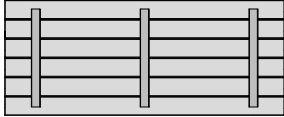
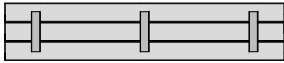

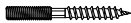
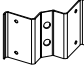





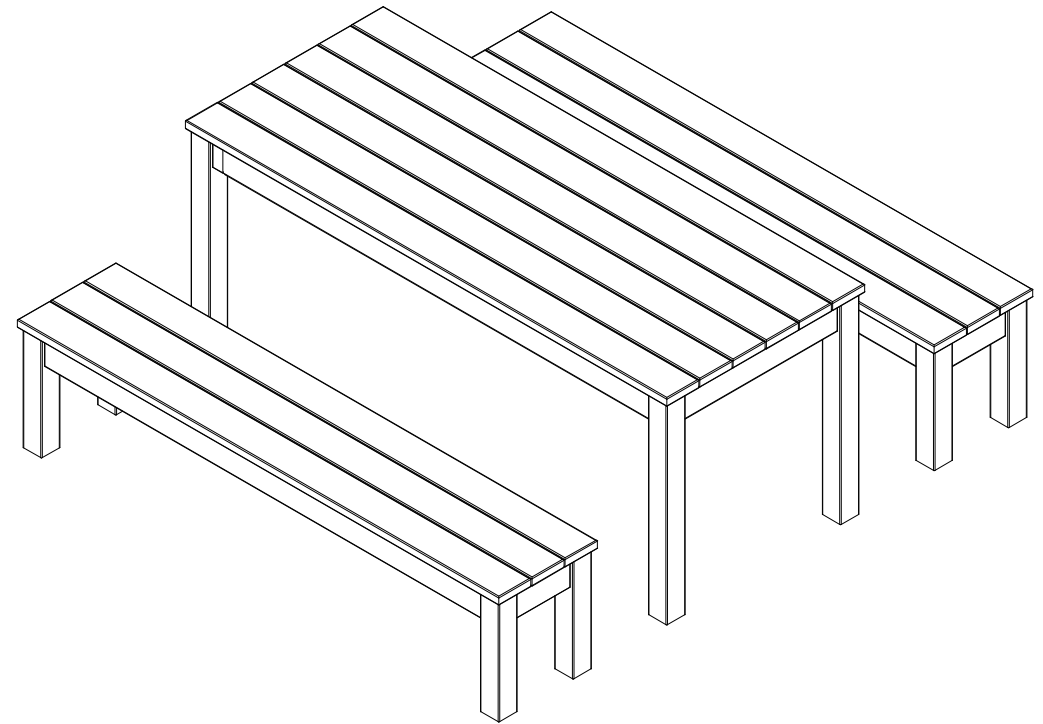
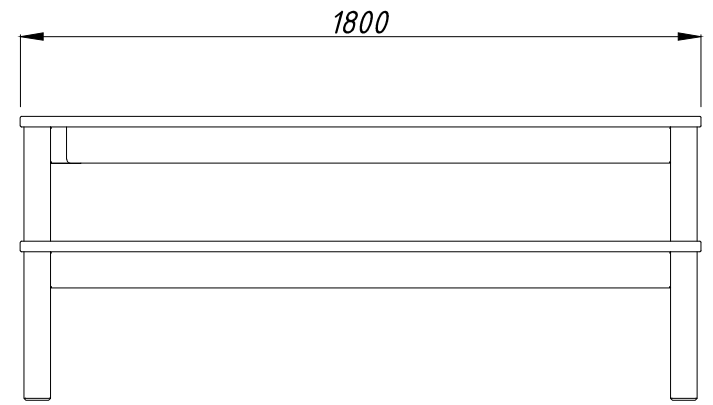
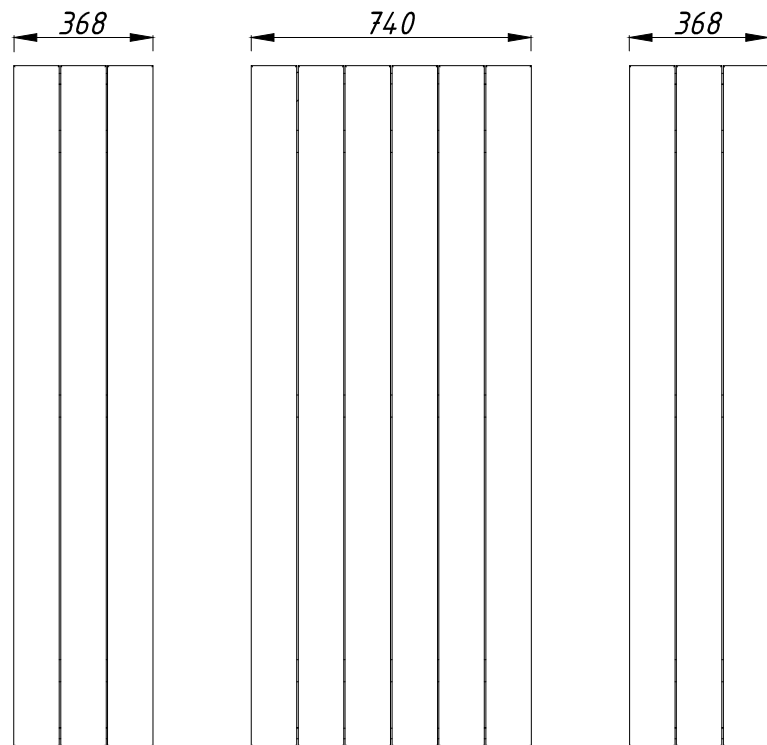
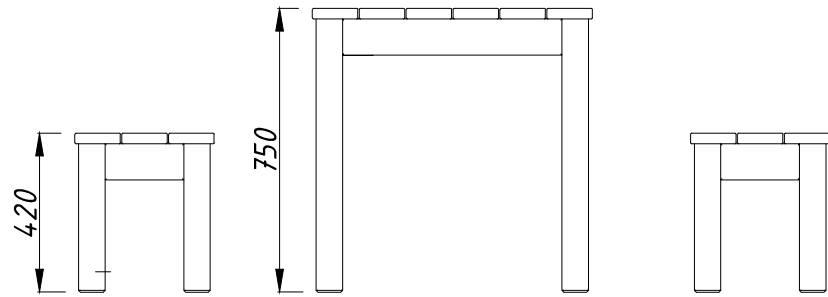
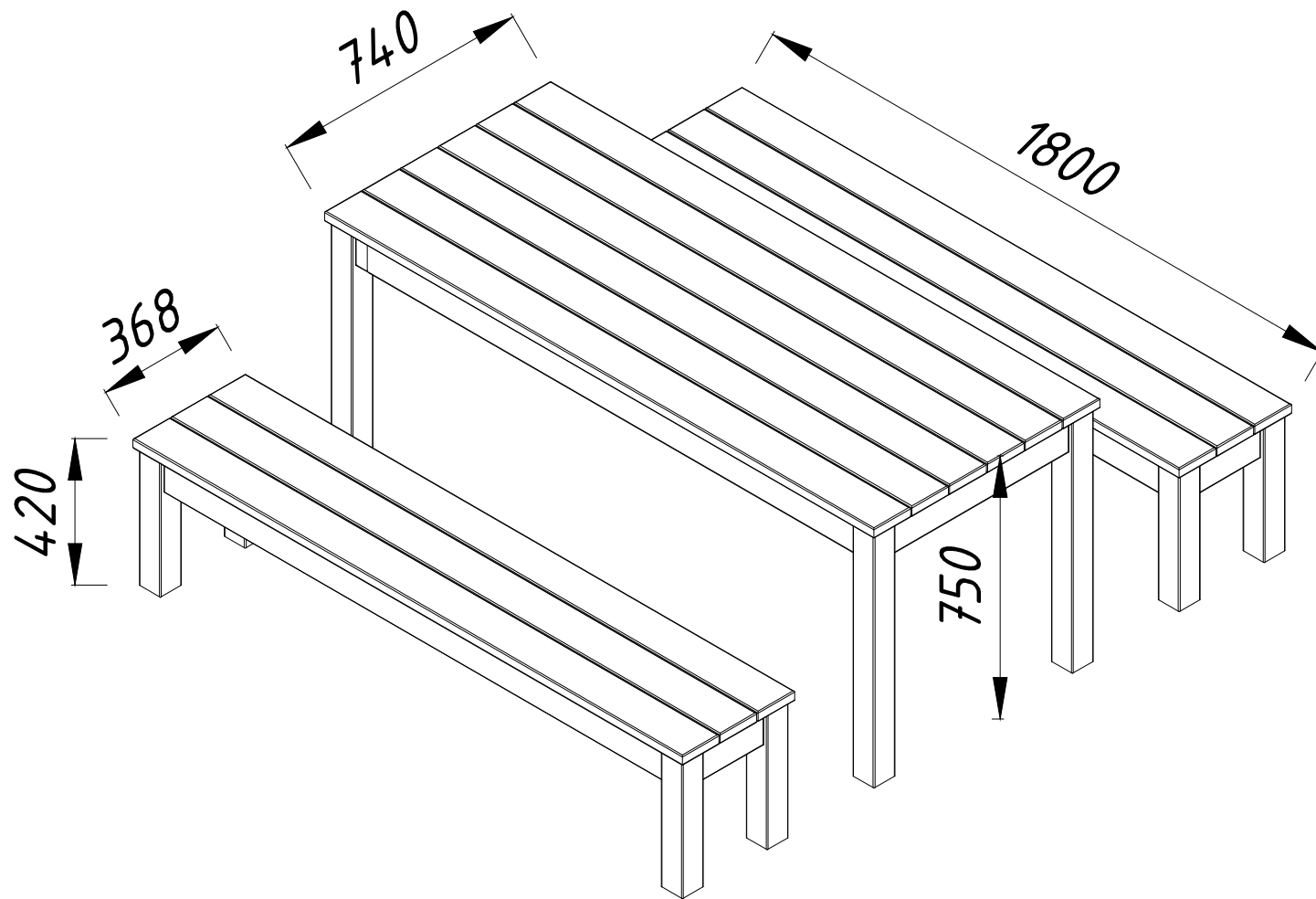
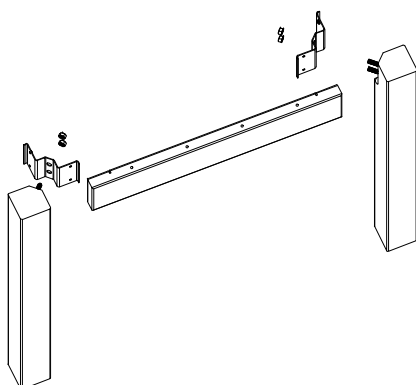
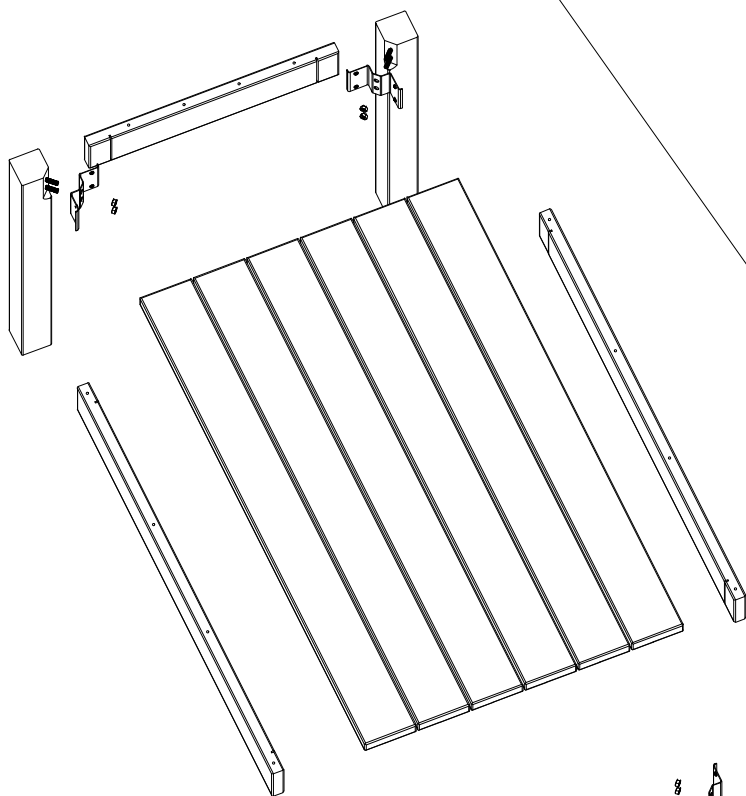
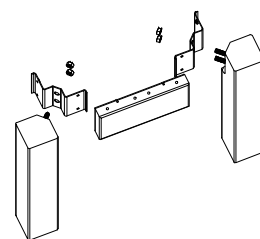
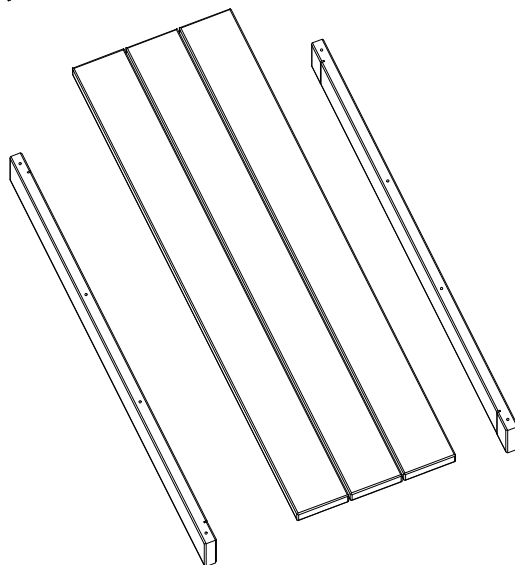
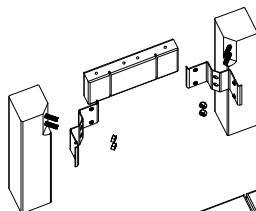


Pos	SPECIFICATION-STÜCKLISTE-NOMENCLATURE-ELEMENTI-ESPECIFICACIÓN AM28-0718	Pcs	Profile (mm)	Length (mm)
01	 Detail- Detail- Detail- DeftagLlo- Detalle	4	70x70	722
02	 Detail- Detail- Detail- DeftagLlo- Detalle	8	70x70	392
03	 Detail- Detail- Detail- DeftagLlo- Detalle	6	28x95	1640
04	 Detail- Detail- Detail- DeftagLlo- Detalle	2	28x95	580
05	 Detail- Detail- Detail- DeftagLlo- Detalle	4	28x95	208
06		1	56x740	1800
07		2	56x368	1800
Fim	-Fixing kit- Befestigungsset- Moyens de fixation- Materiale di fissaggio- Kit de fijación		1	
QPOLJL8x 80Zn	Bolt -Schloss-schraube -Boulon- Bullone- Perno- QPOLJL8x80Zn		24	
QNU80x11 5Zn	L-iron- Winkel- Angle -Angolo- Angulo 80x115SN		12	
QMUJKK8 Zn	Nut- Schraubenmutter- Écrou- Dado- Tuerca- M8mm		24	
QKRYP4 _5x20Zn	Screw- Schraube- Vis- Vite- Tornillo- 4.5x20mm ZnY		48	
QKRPP4 _5x70Zn	Screw- Schraube- Vis- Vite- Tornillo- 4.5x70mm		54	
 	Object name AM28-0718			Page 1/1





2x

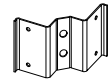


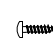
1x

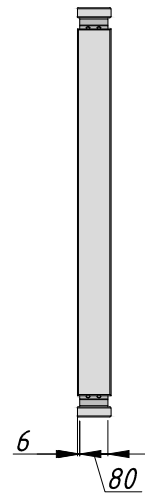
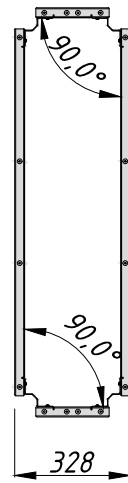
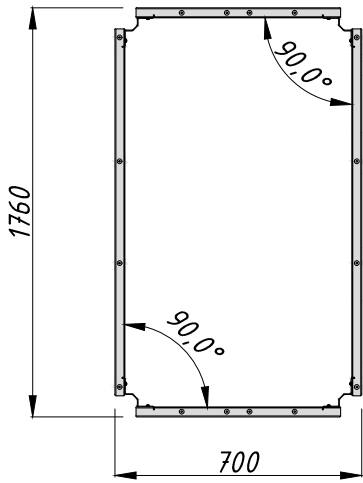
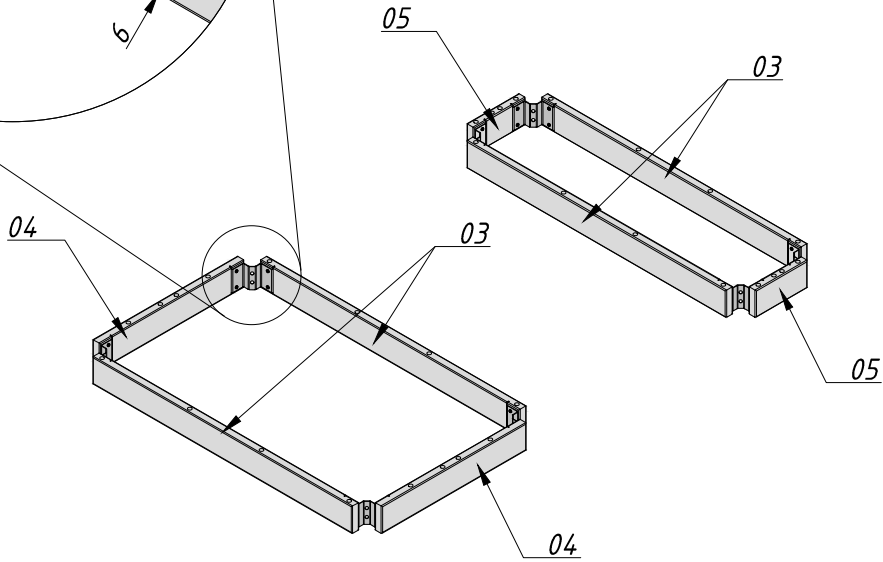
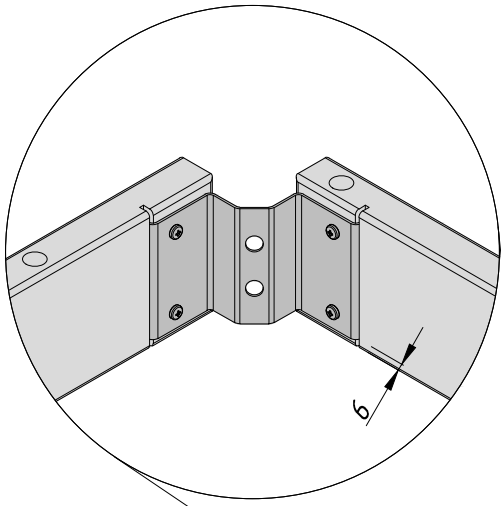
03 - 6 pcs

04 - 2 pcs

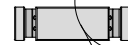
05 - 4 pcs

 12 pcs

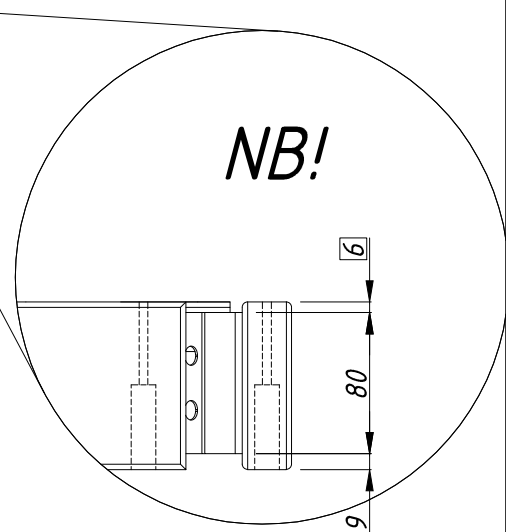
 4,5x20 - 48 pcs



1x



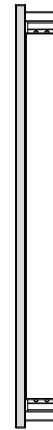
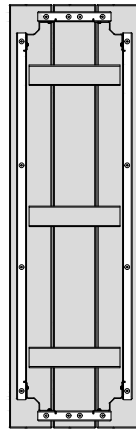
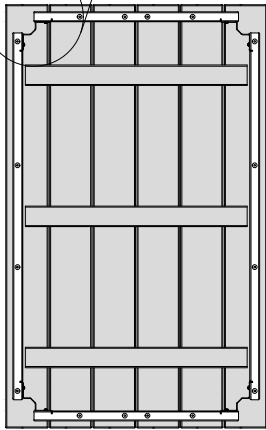
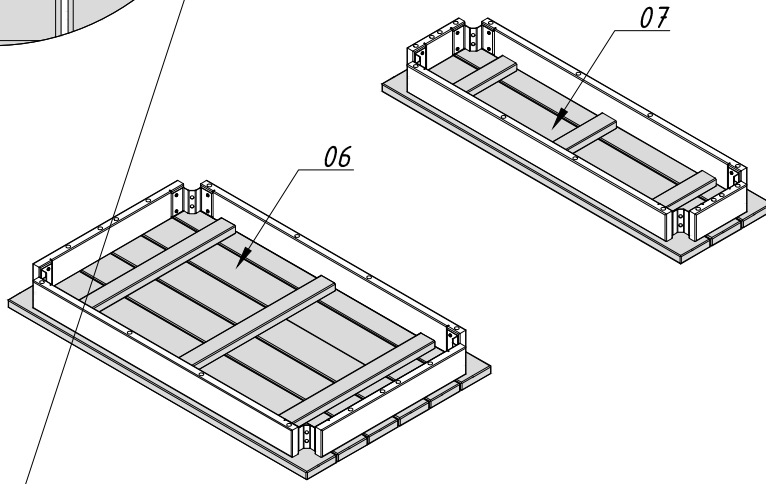
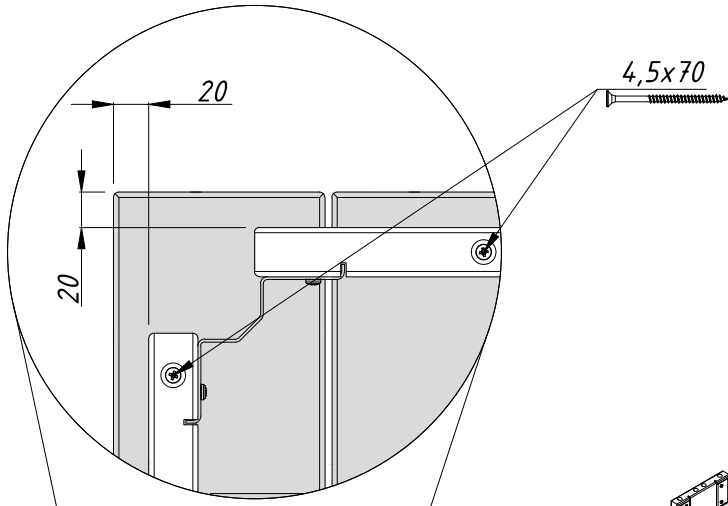
2x



06 - 1 pcs

07 - 1 pcs

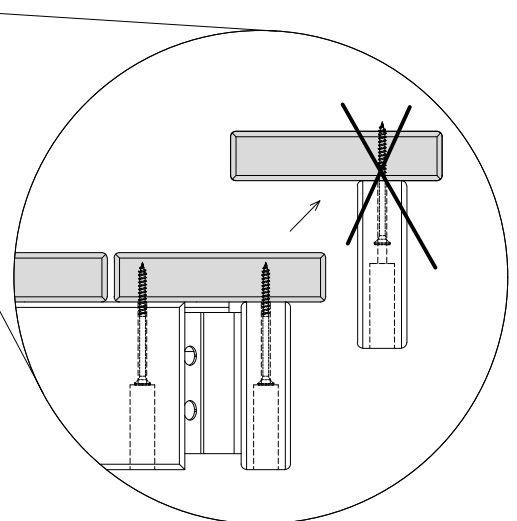
4,5x70 - 54 pcs



1x



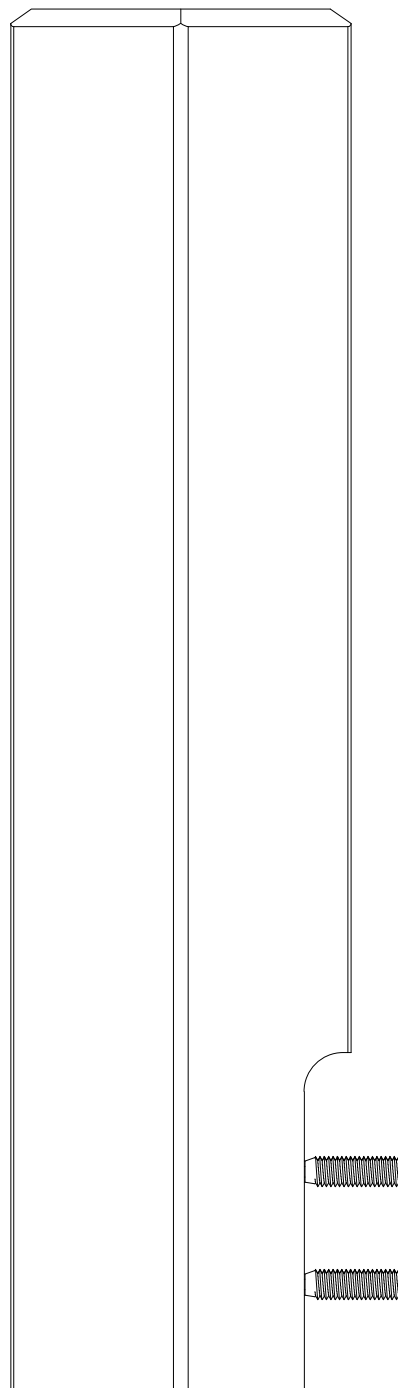
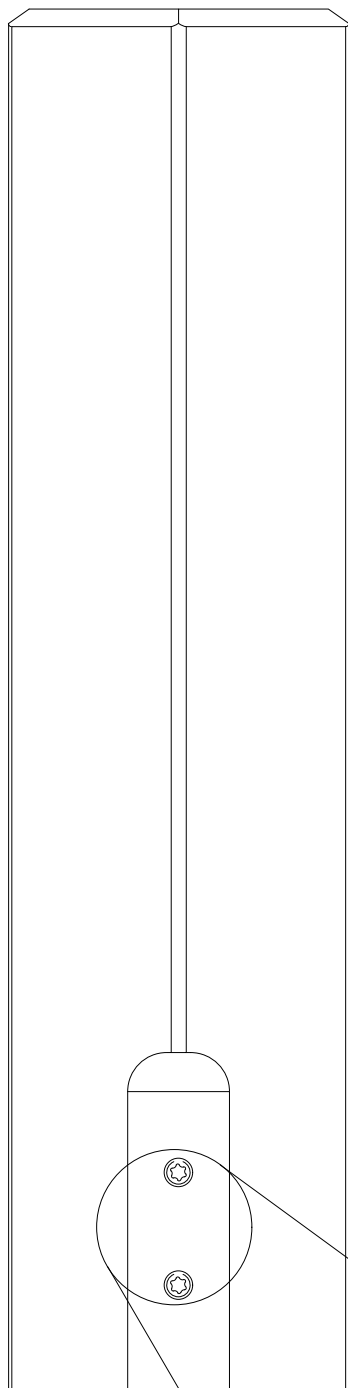
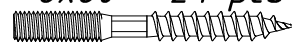
2x



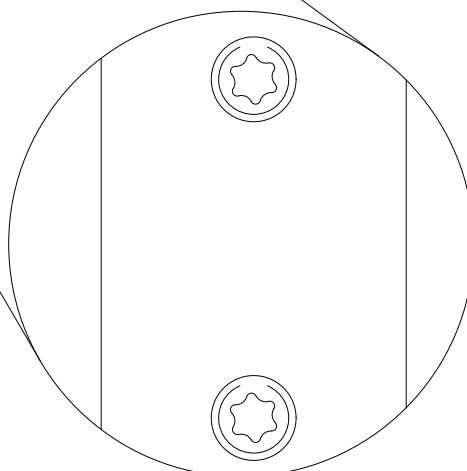
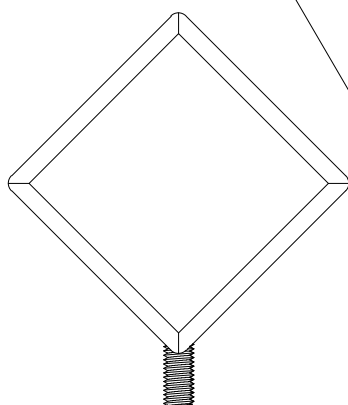
01 - 4 pcs

02 - 8 pcs

8x80 - 24 pcs



ca 28



01 - 4 pcs
02 - 8 pcs
⊙ M8 - 24 pcs

