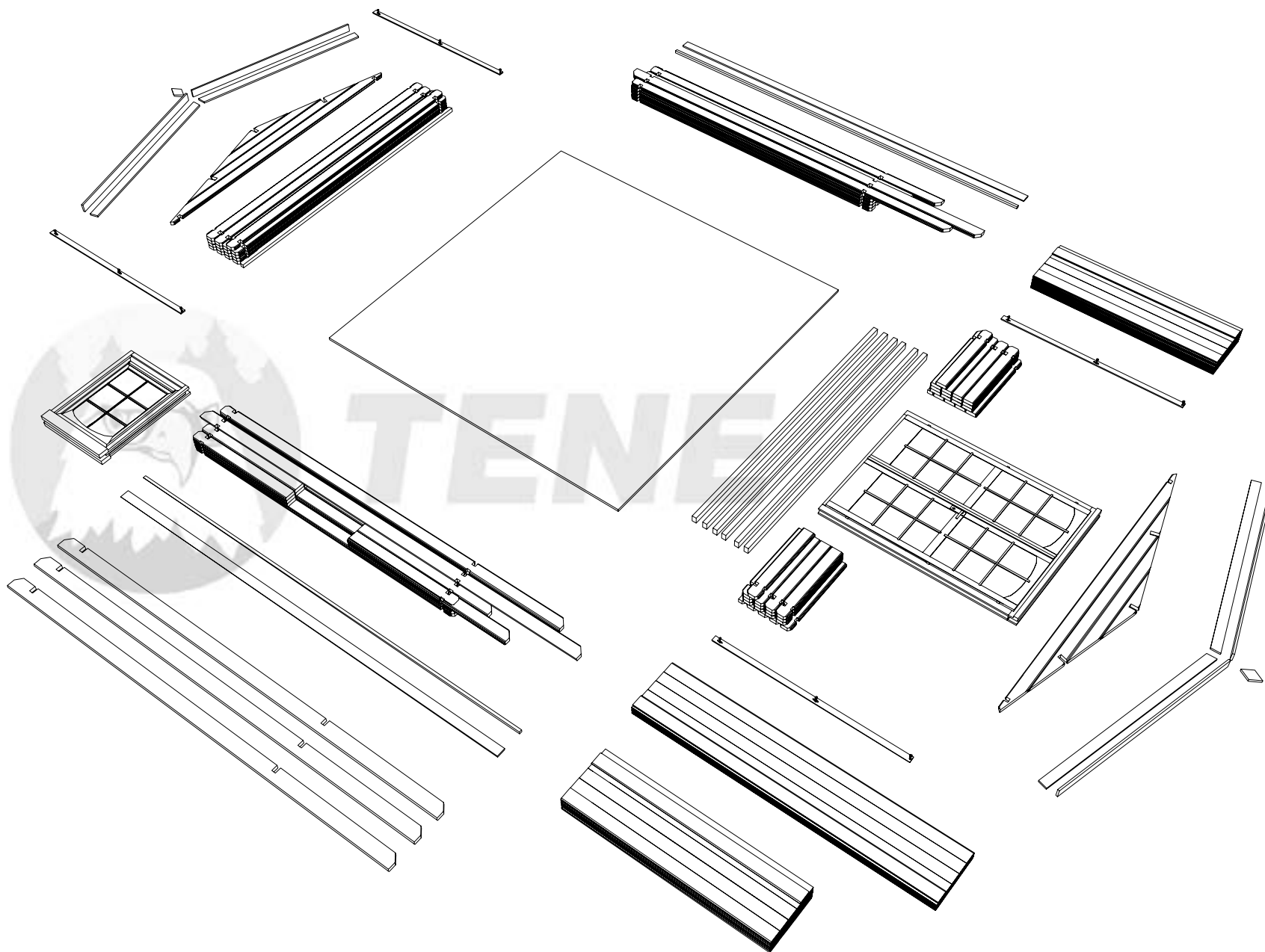
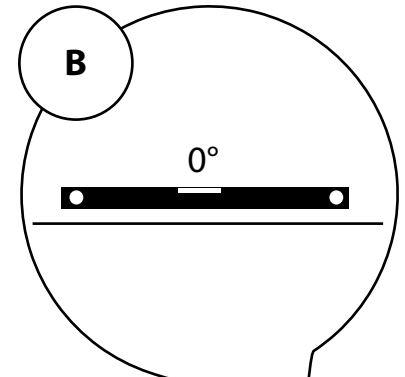
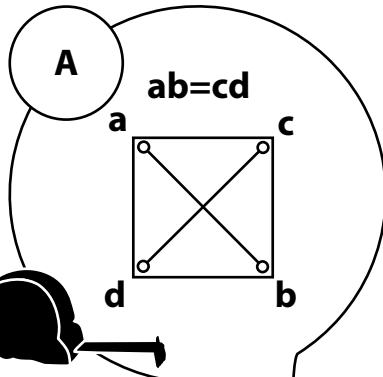


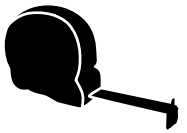
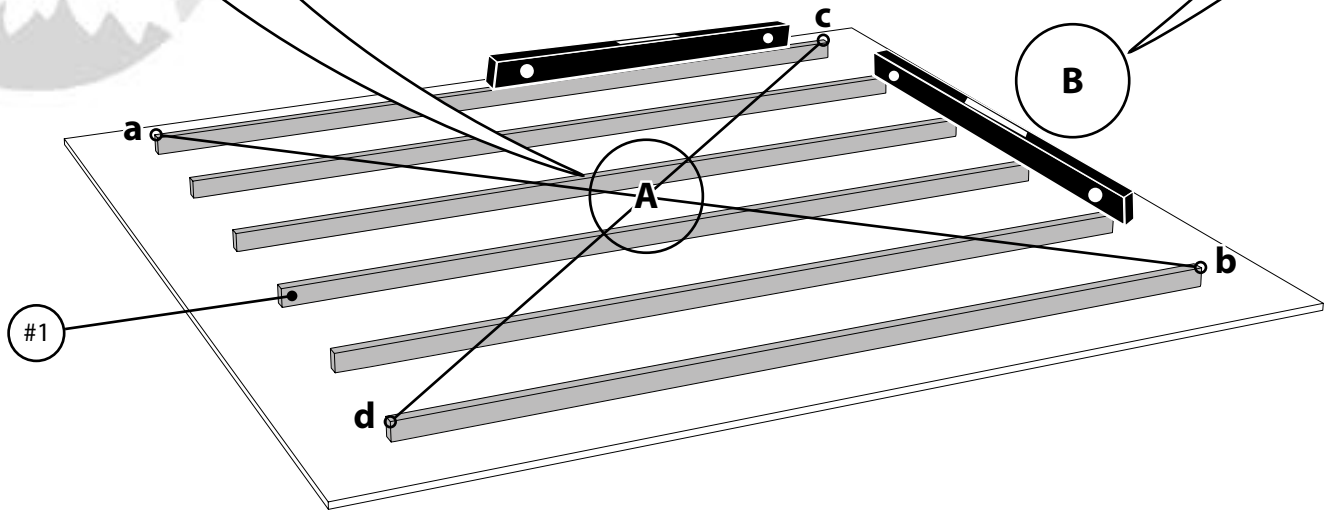
SANDRA B



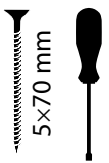
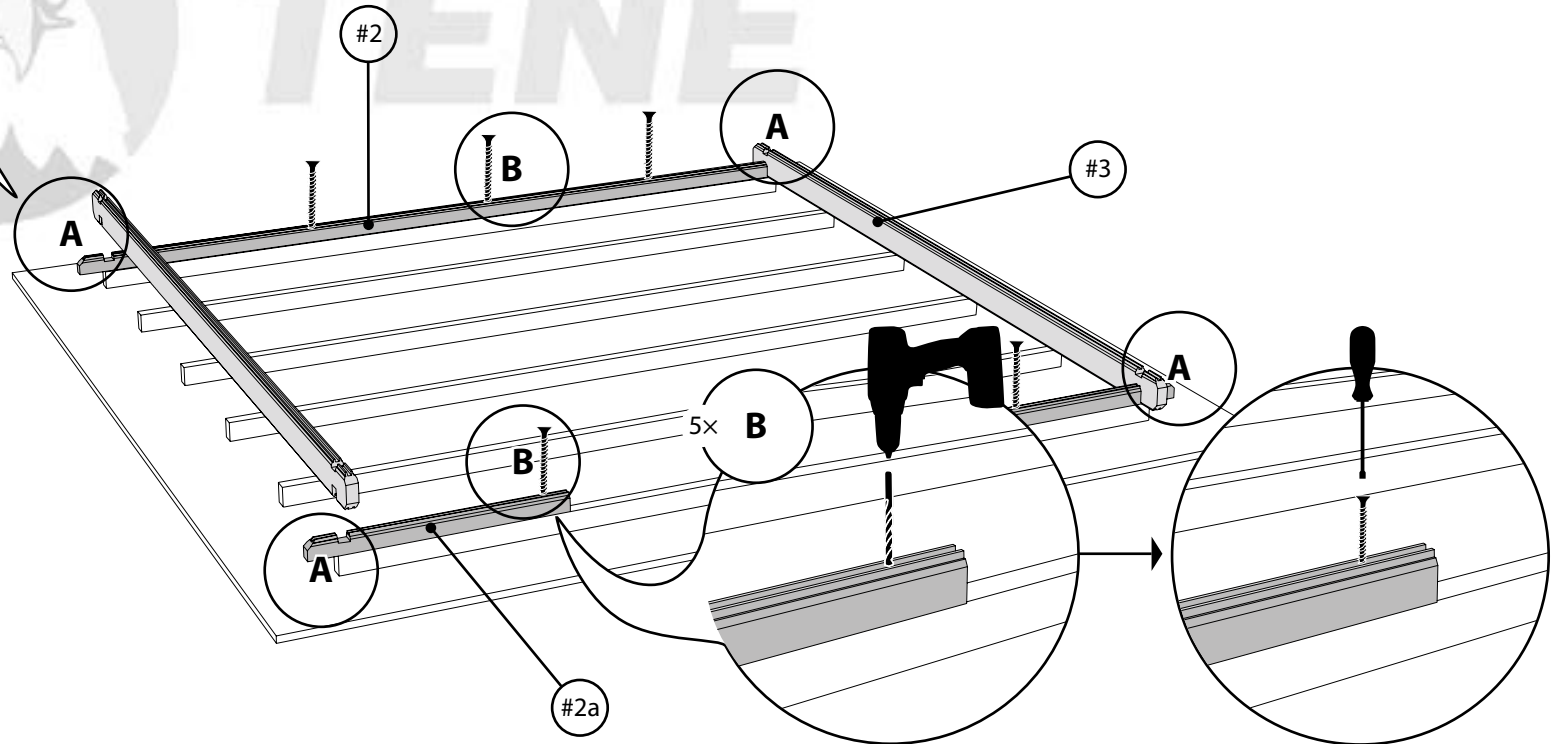
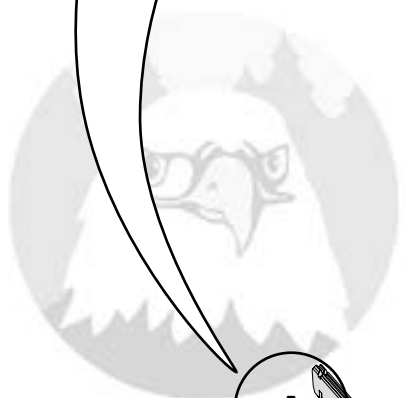
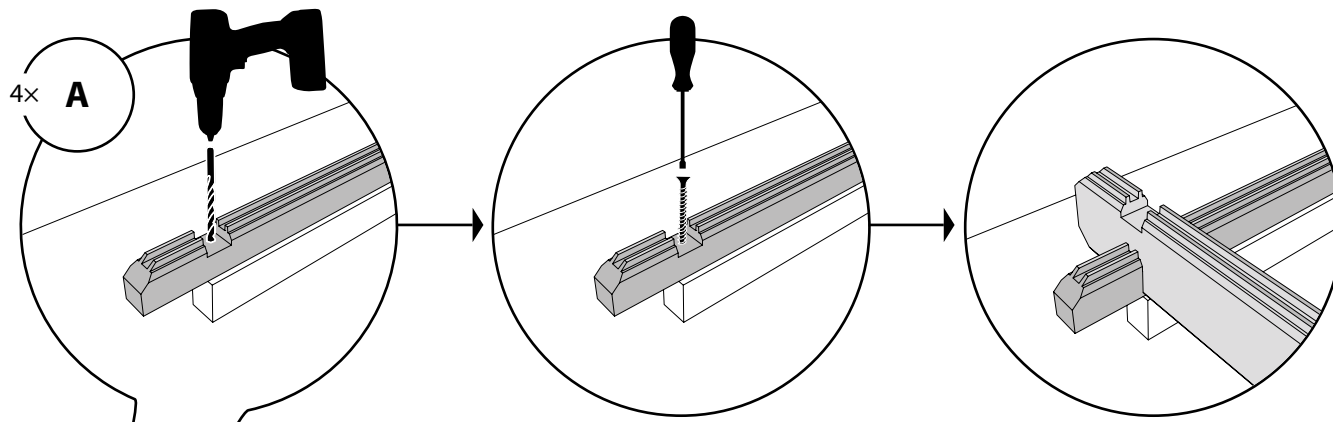
SANDRA B



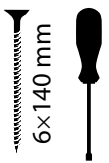
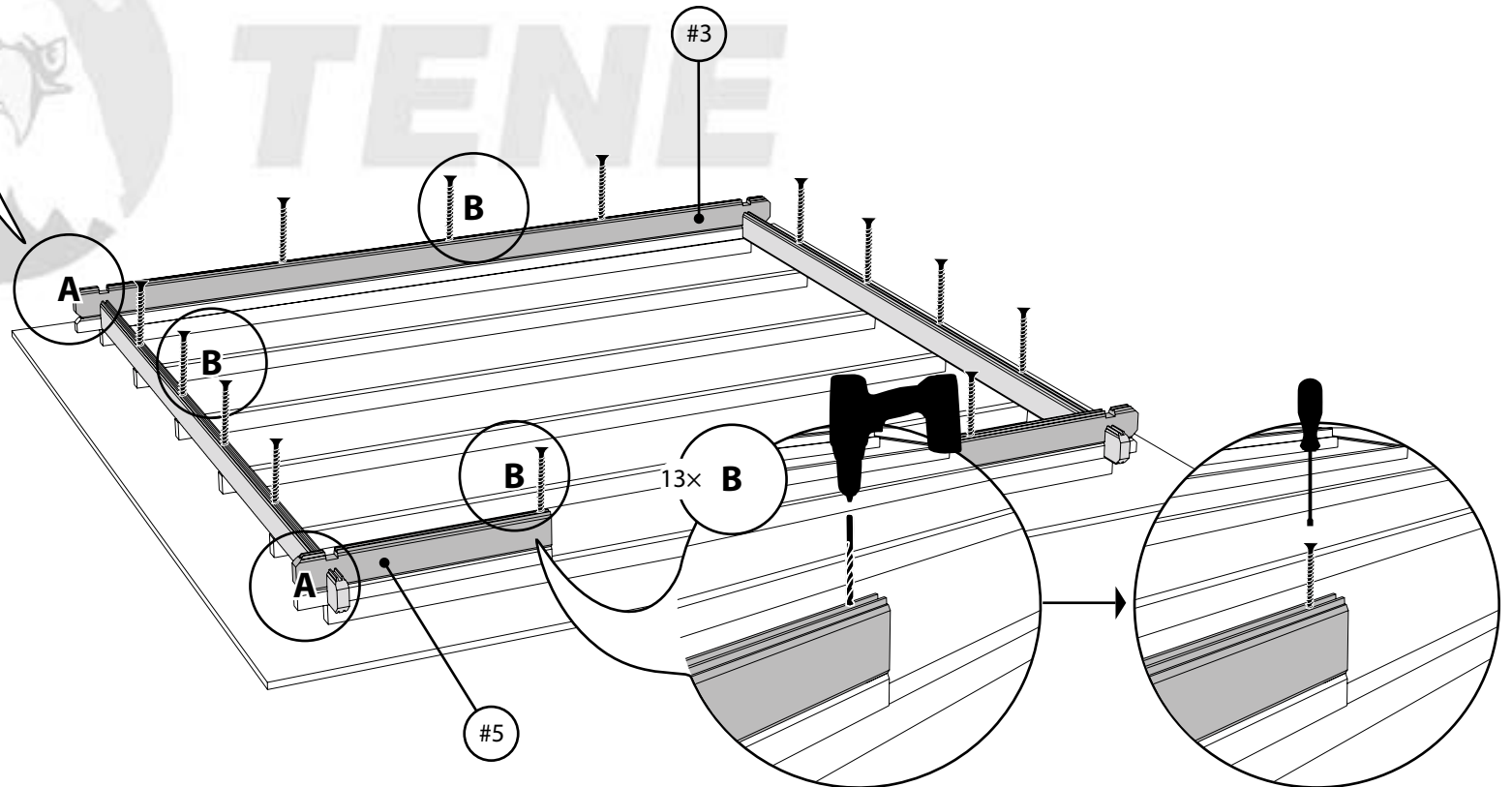
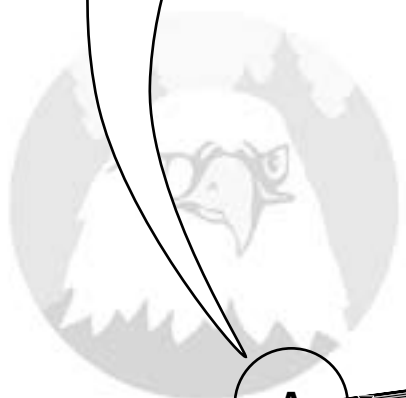
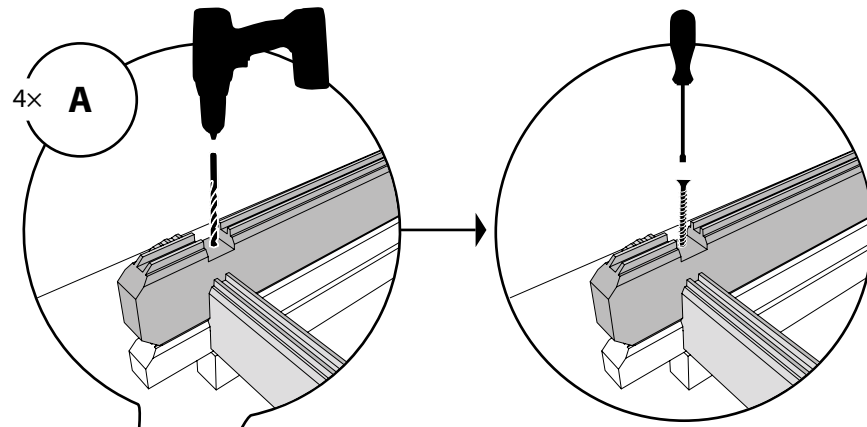
TENE



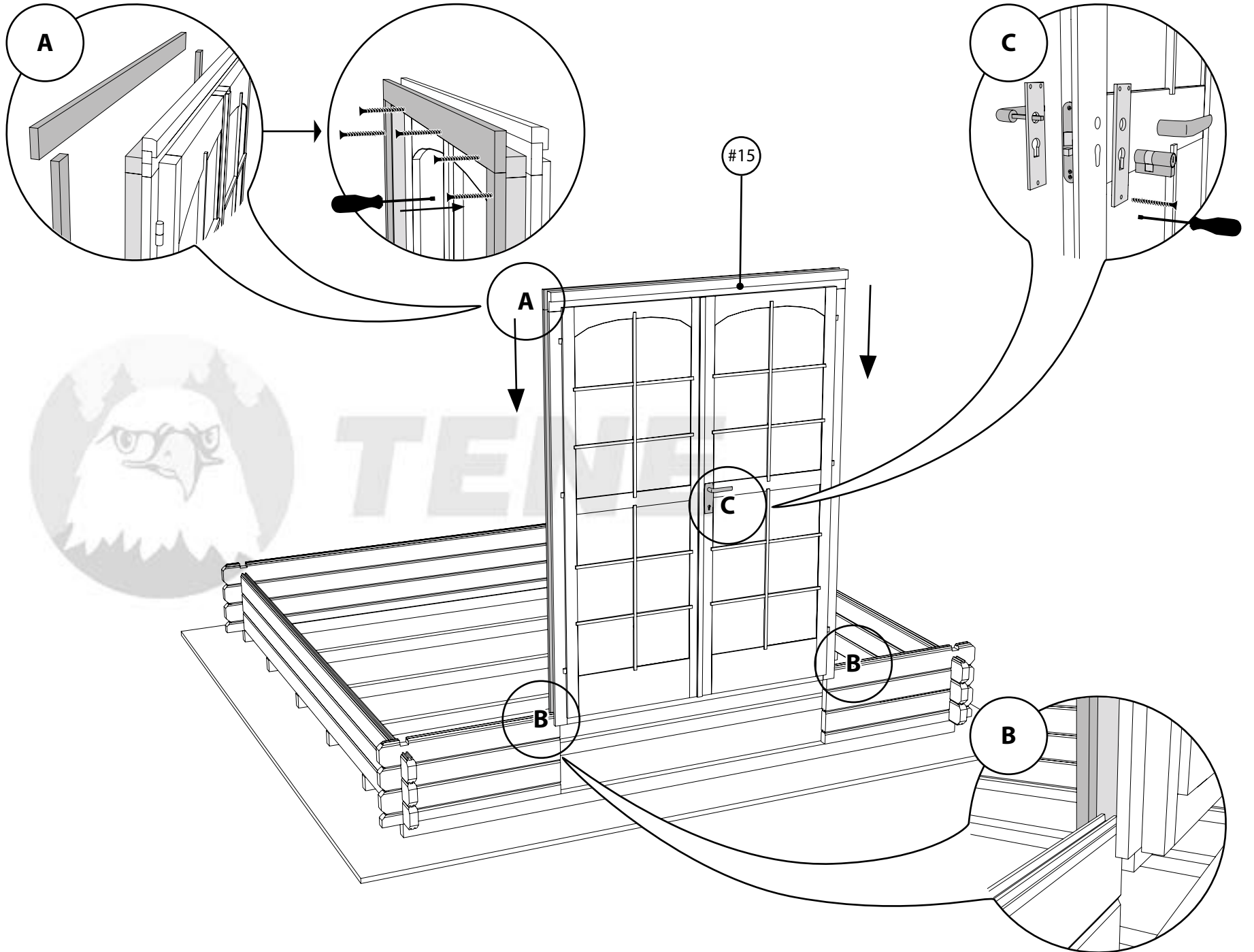
SANDRA B



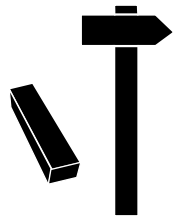
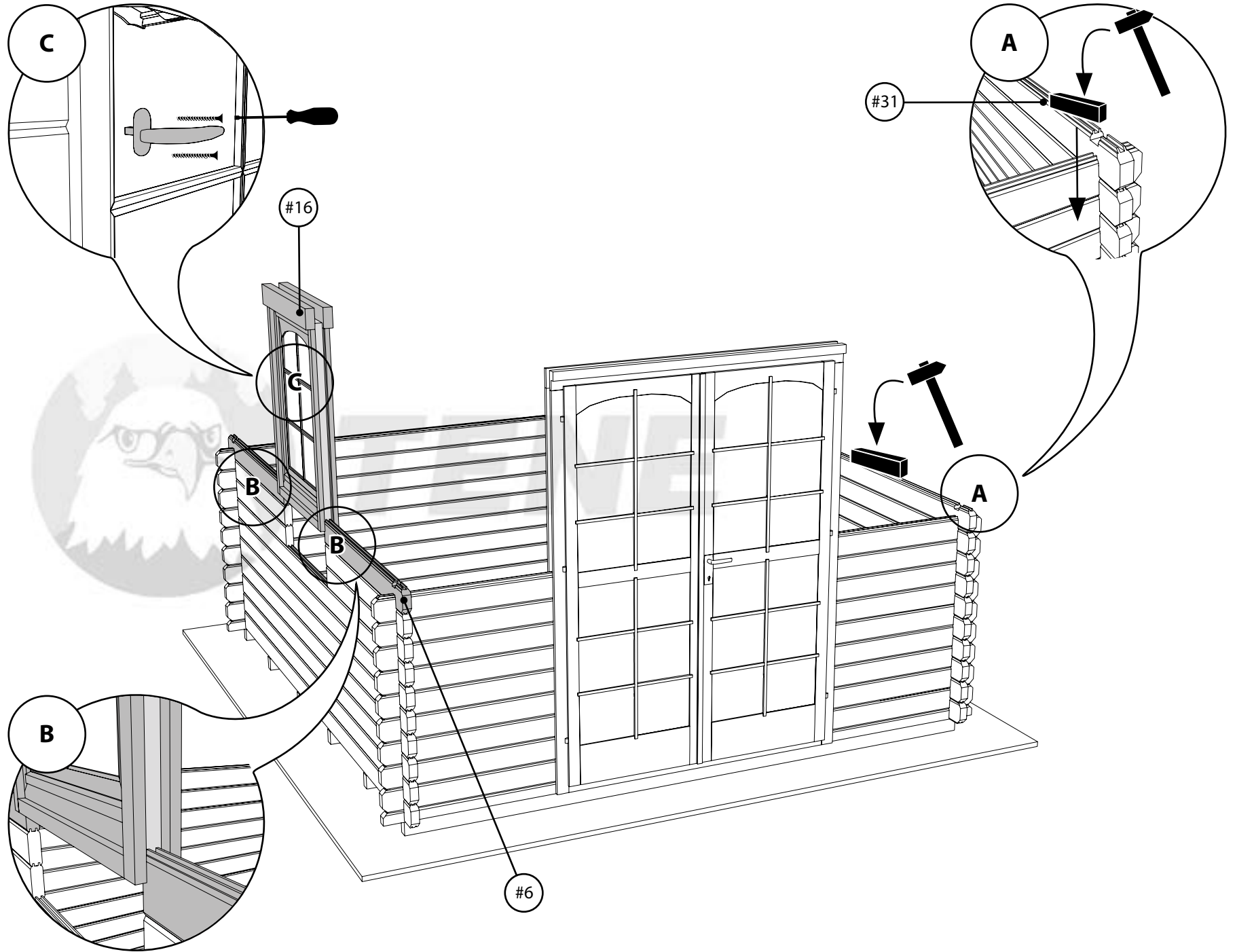
SANDRA B



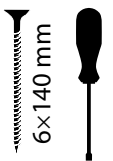
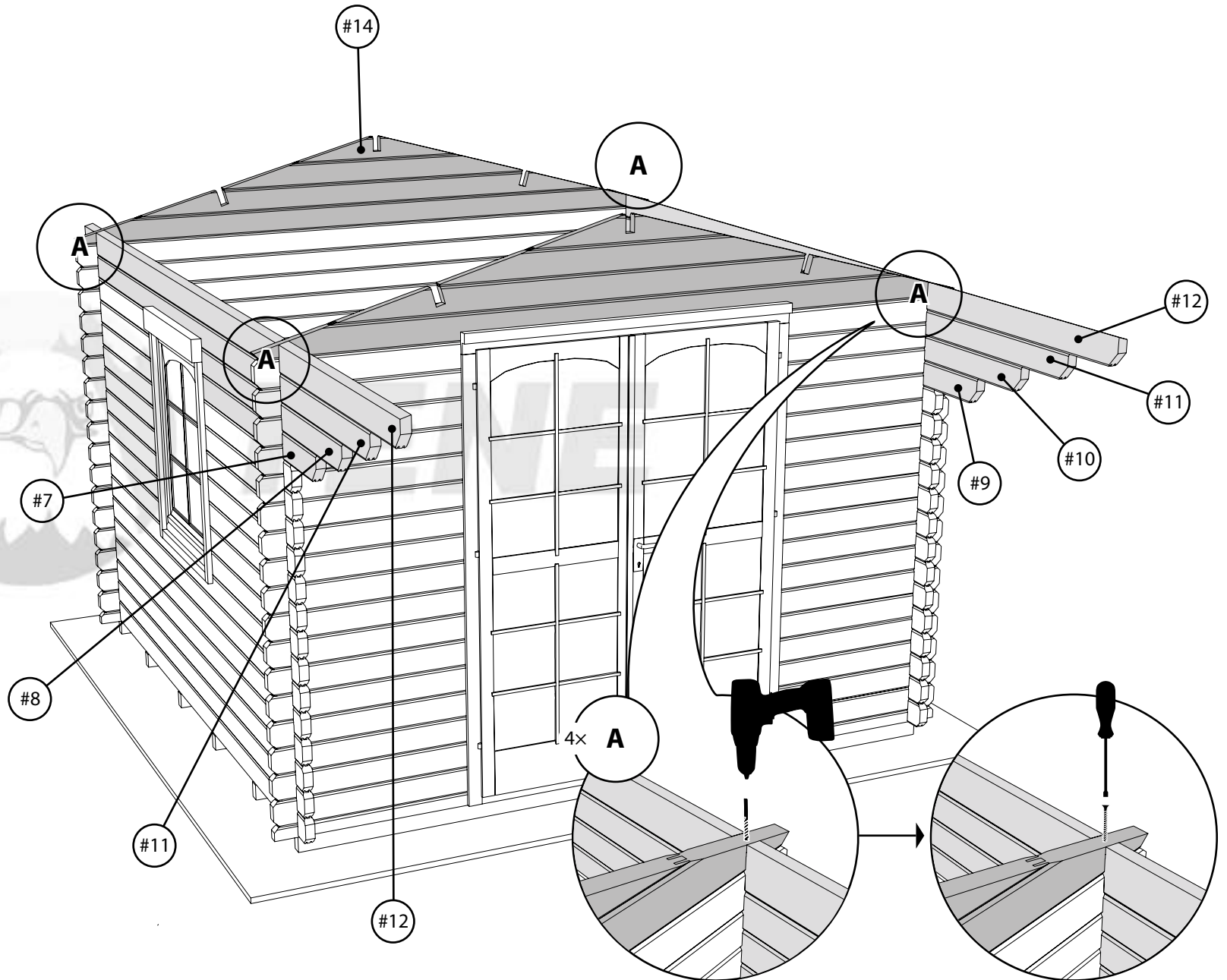
SANDRA B



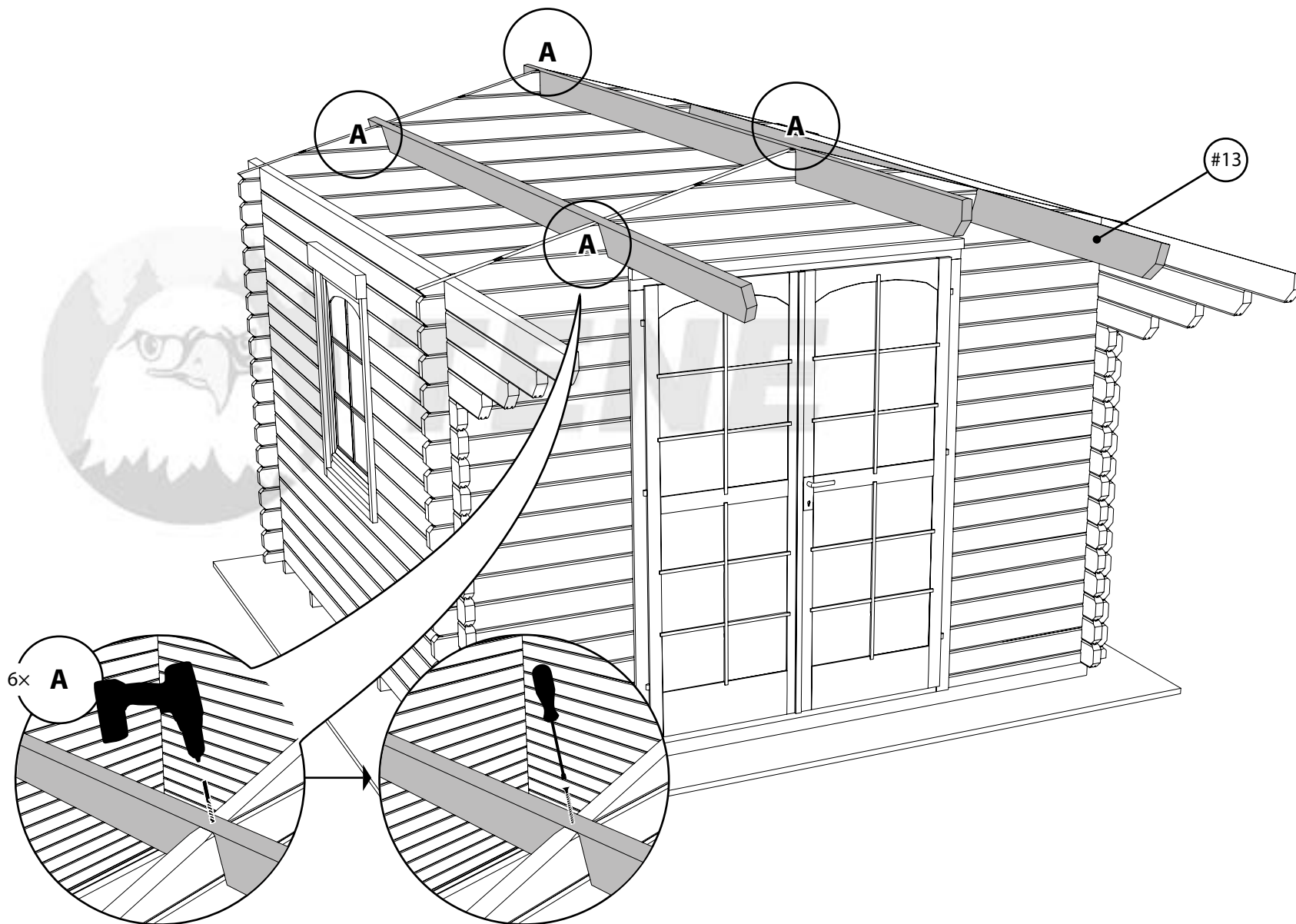
SANDRA B



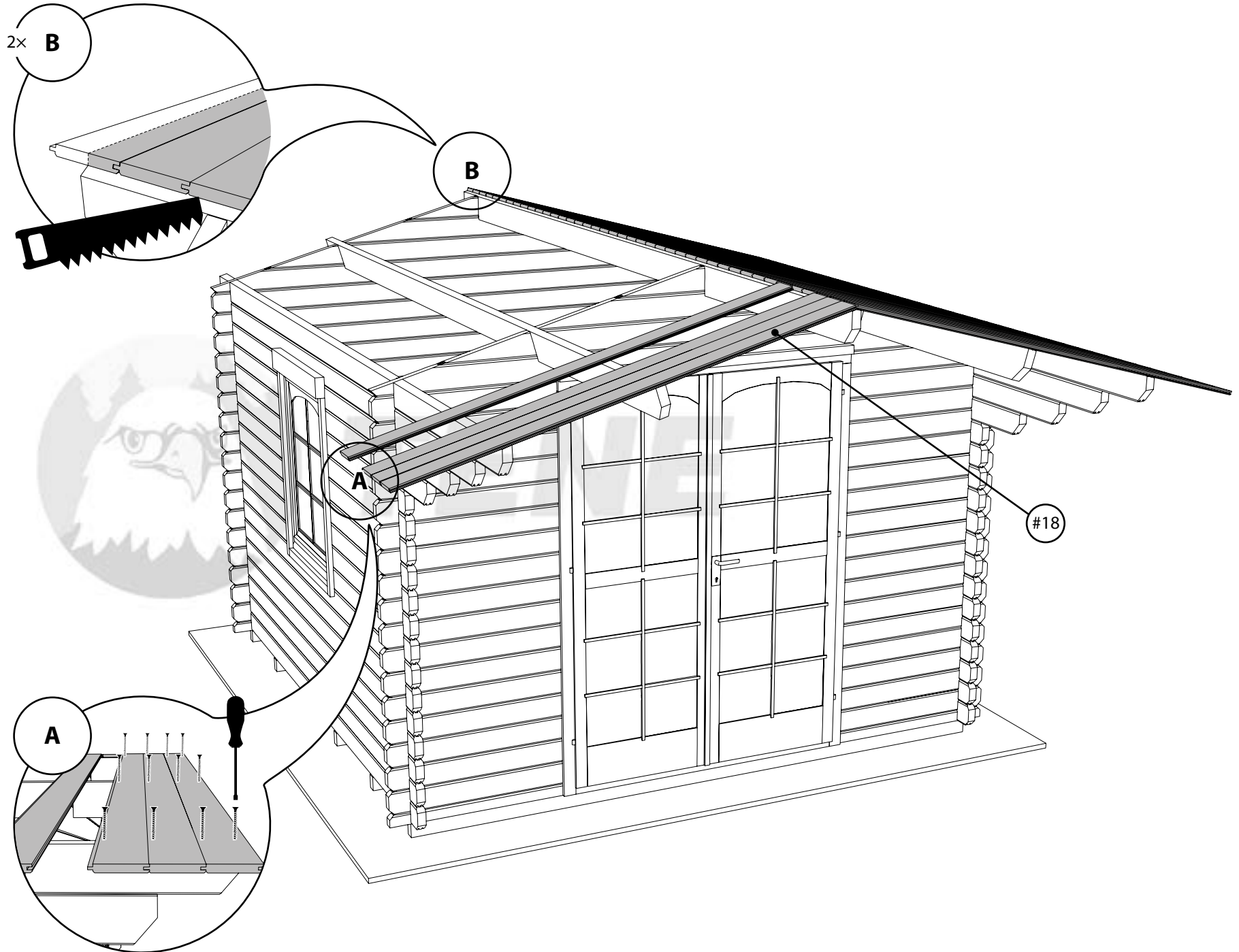
SANDRA B



SANDRA B



SANDRA B



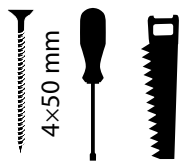
2x **B**

B

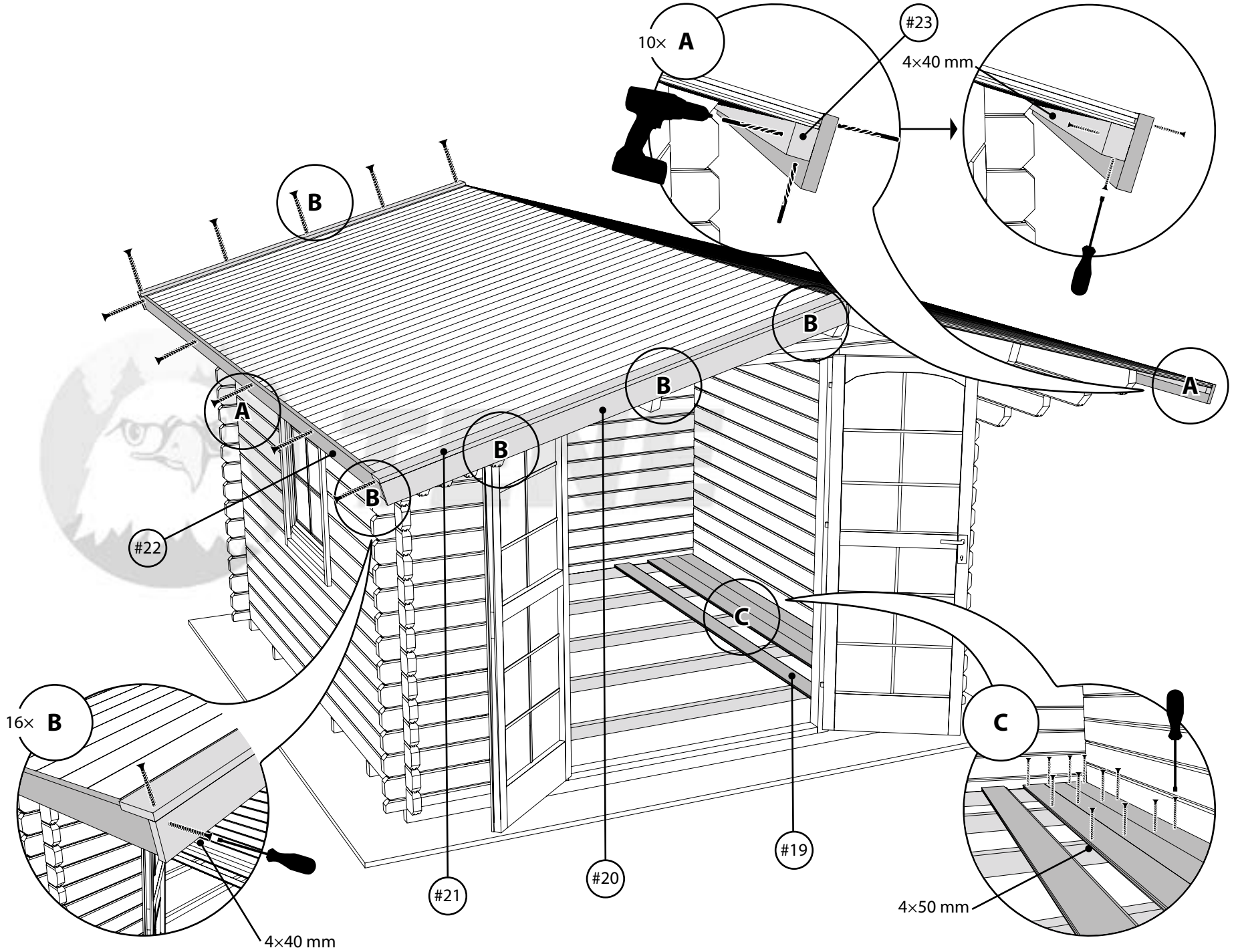
A

#18

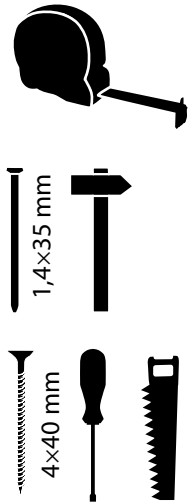
A



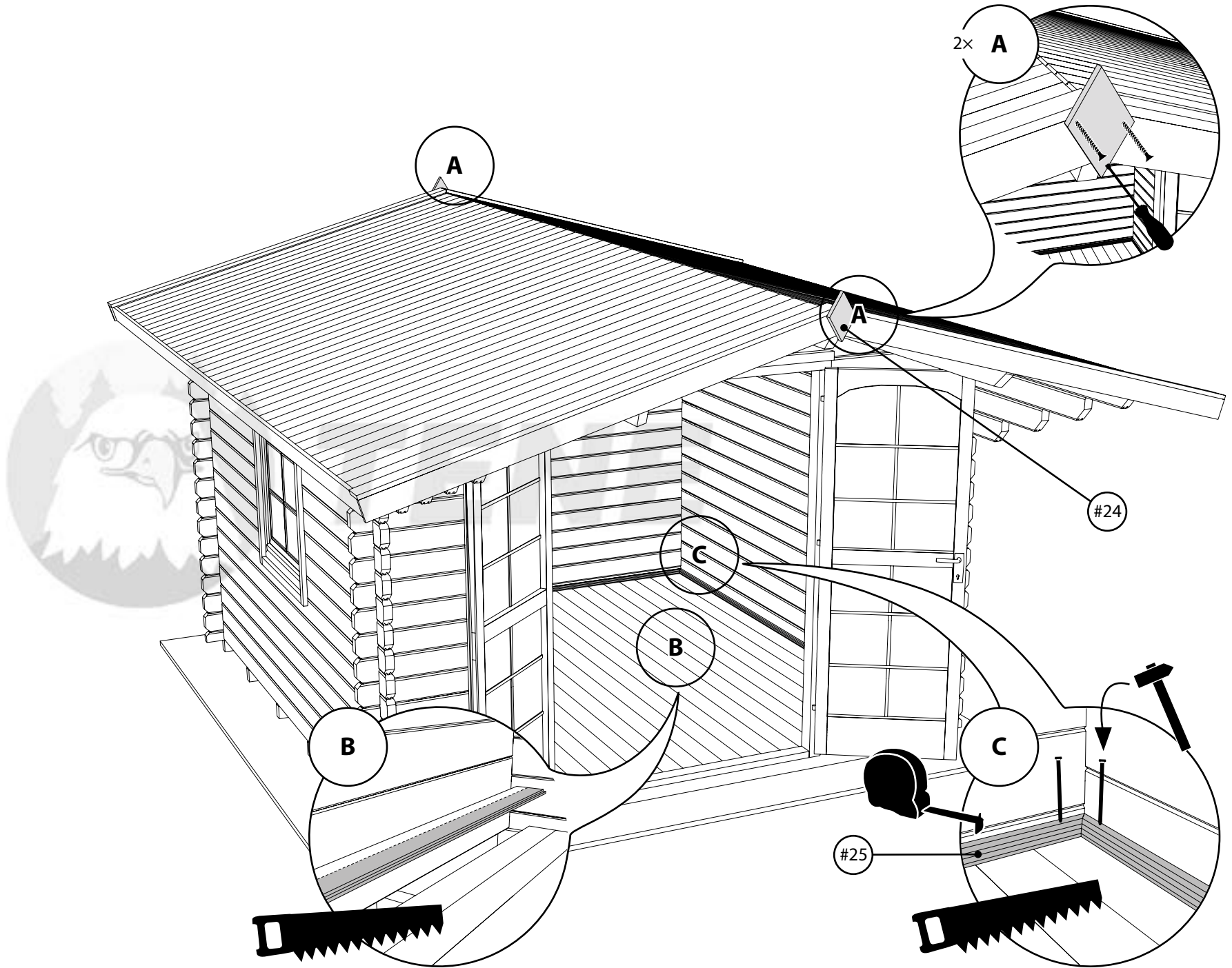
SANDRA B



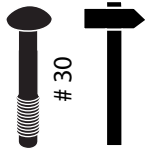
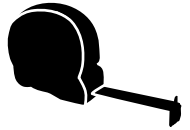
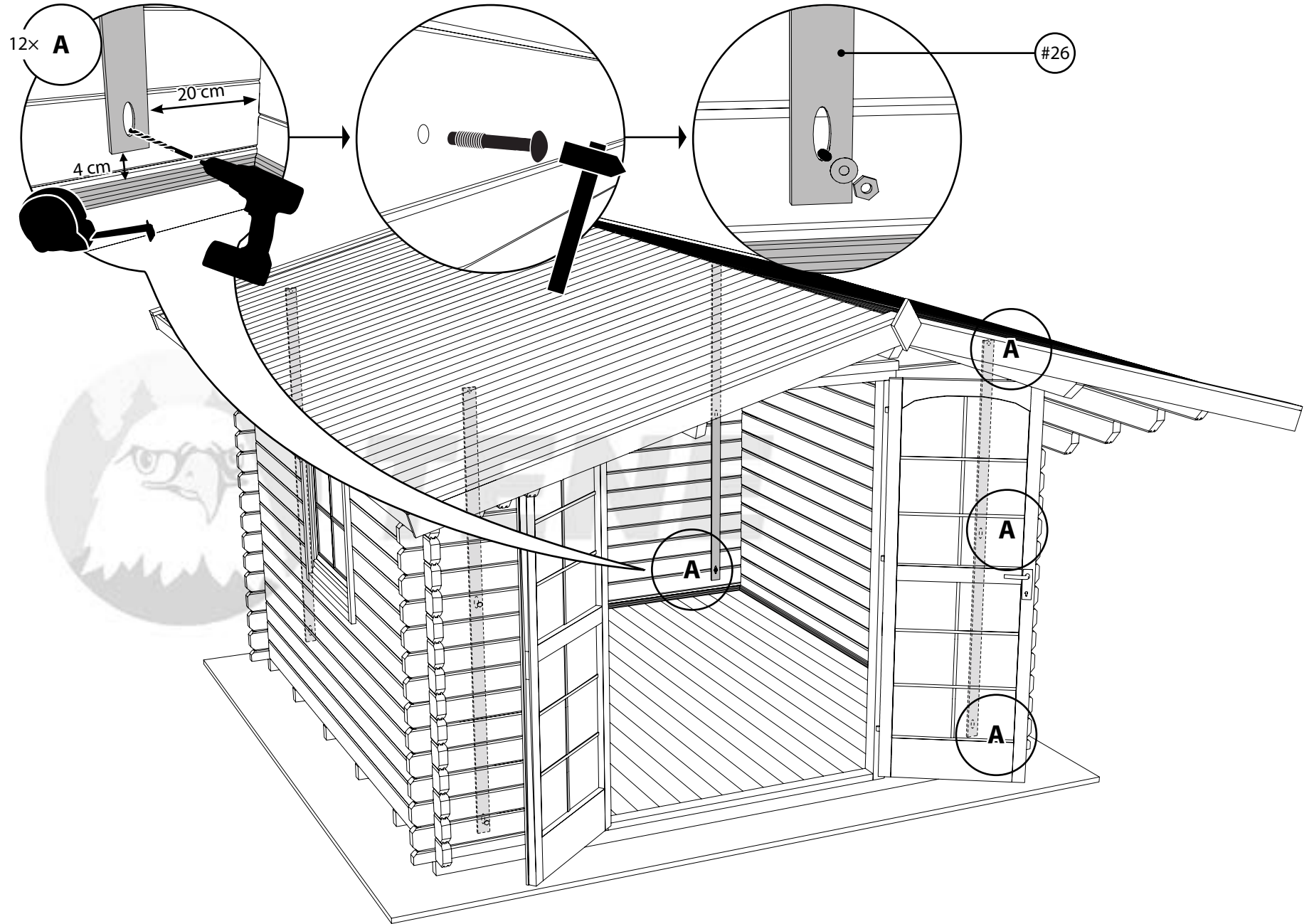
SANDRA B



11 / 13



SANDRA B



SANDRA B

