






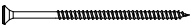
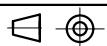
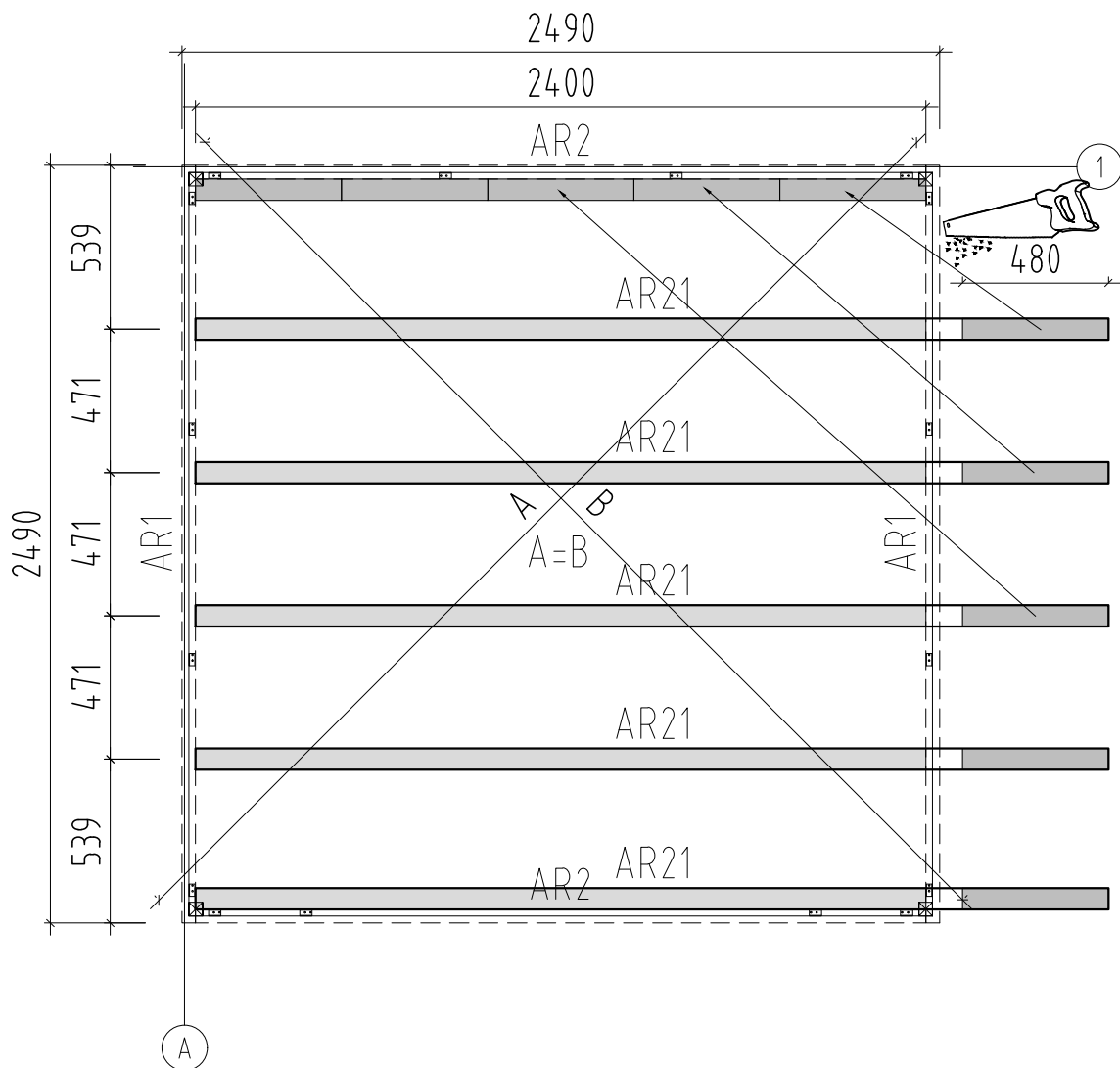
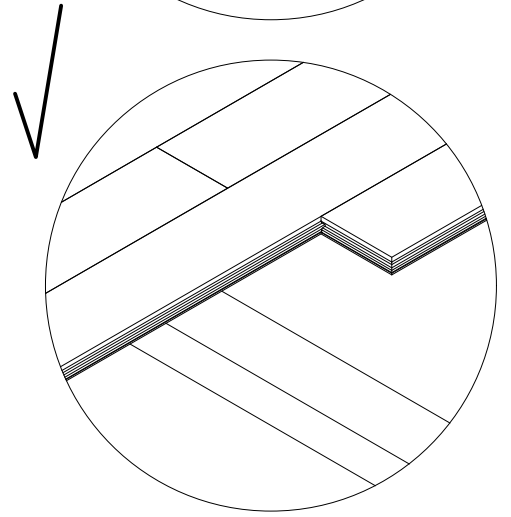
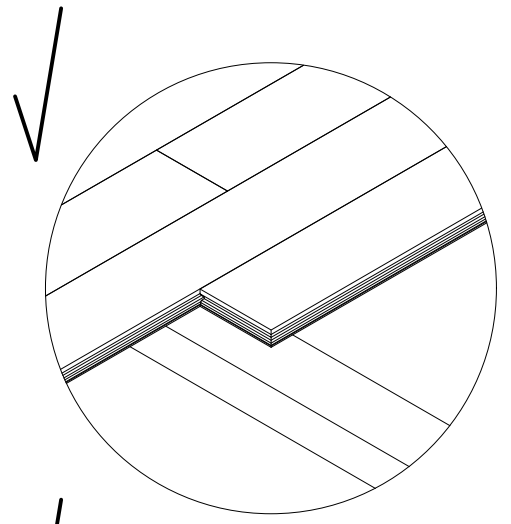
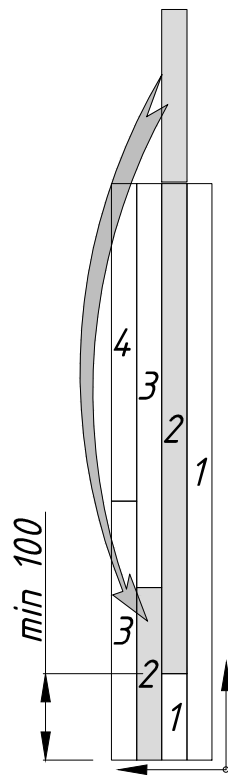
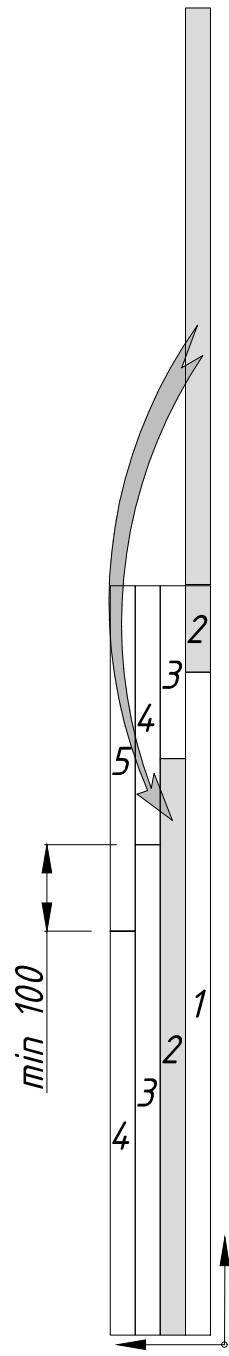
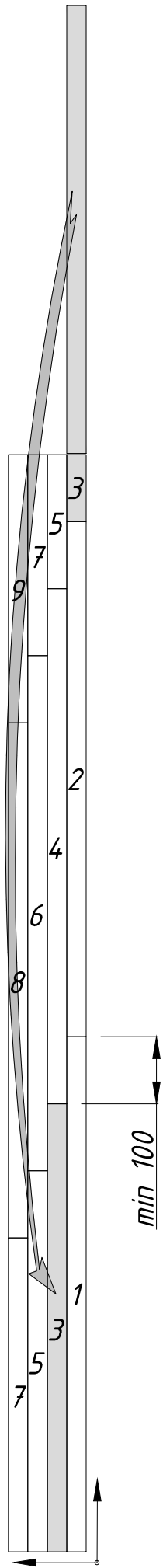
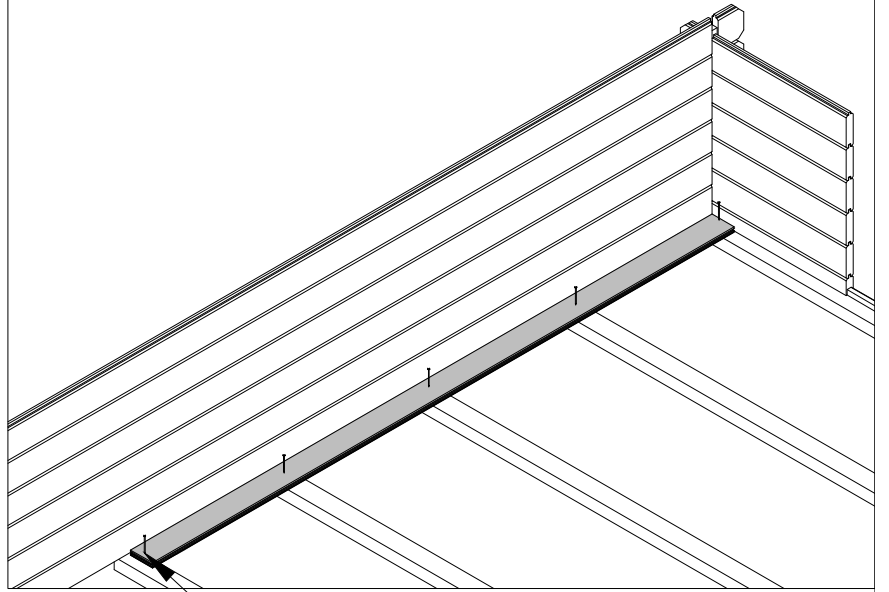


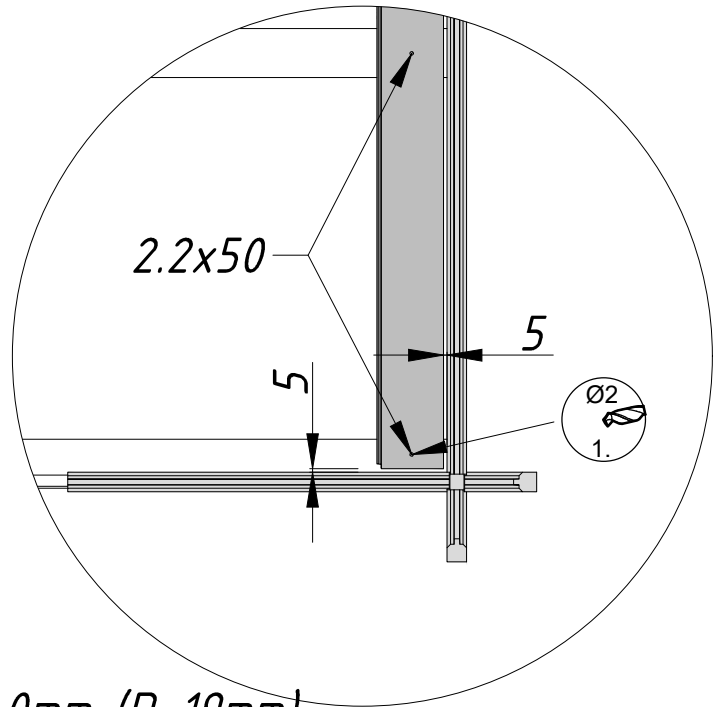
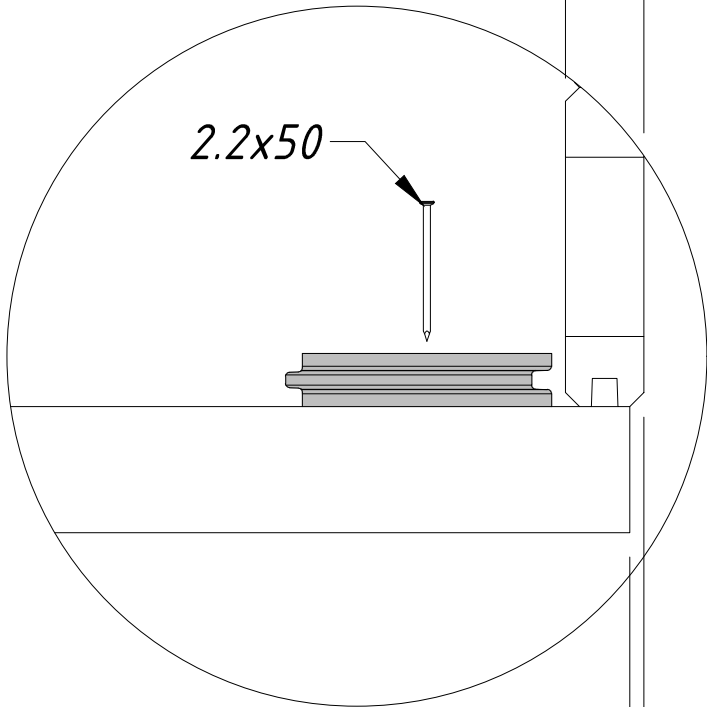
Pos	SPECIFICATION-STÜCKLISTE-NOMENCLATURE-ELEMENTI-ESPECIFICACIÓN LA19-2524-OT	Pcs	Profile (mm)	Length (mm)
AR21	Foundation- Fundament- Fondation- Fondazione- Vigas de cimentación 2 	5	70x45	3000
FB7-1	Floor board- Fussbodenbrett- Madrier du plancher - Tavola pavimento- Tabla de suelo 	30	89x19	2350
FIB2-1	Floor beading- Fussbodenleiste- Baguette du plancher- Listello pavimento- Listón de suelo 	4	19x19	2350
Fim	-Fixing kit- Befestigungsset- Moyens de fixation- Materiale di fissaggio- Kit de fijación 	1		
QNA1 4x40Me	Nail- Nagel- Clou- Chiodo- Clavo- 1.4x40mm 	35	FIB2-1	
QNA2 2x50Zn	Nail- Nagel- Clou- Chiodo- Clavo- 2.5x50mm 	250	FB7-1	
QKRPP4 5x70Zn	Screw- Schraube- Vis- Vite- Tornillo- 4.5x70mm 	20	AR2+AR21	
QKRPP6 x120Zn	Screw- Schraube- Vis- Vite- Tornillo- 6x120mm 	8	AR1+AR21	





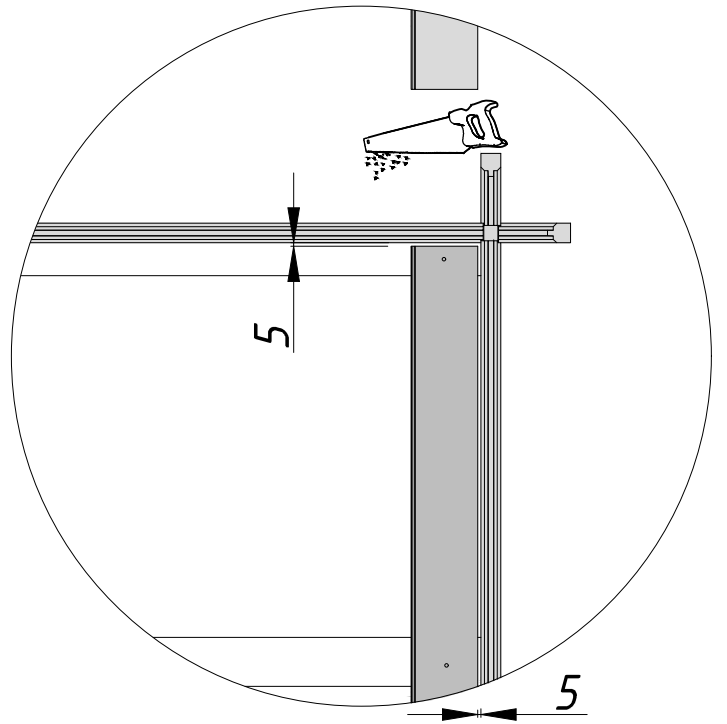
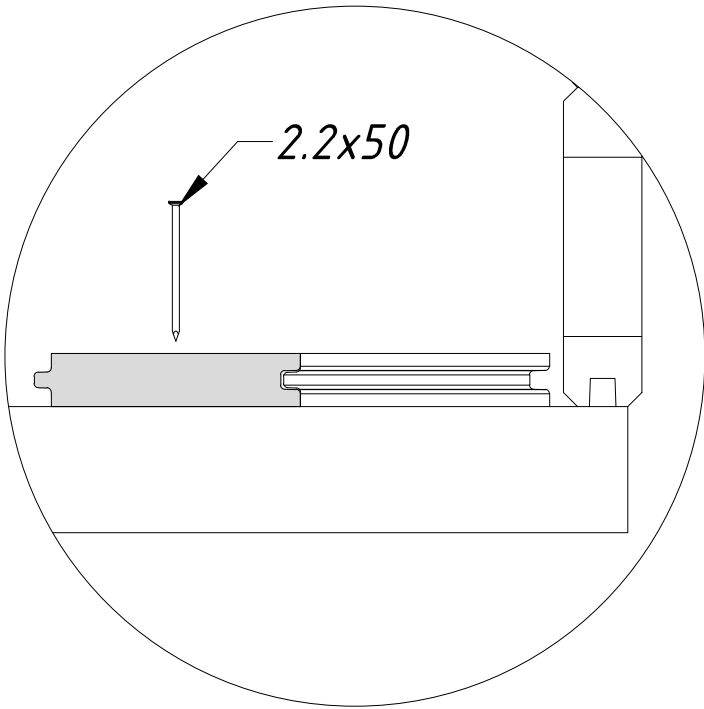
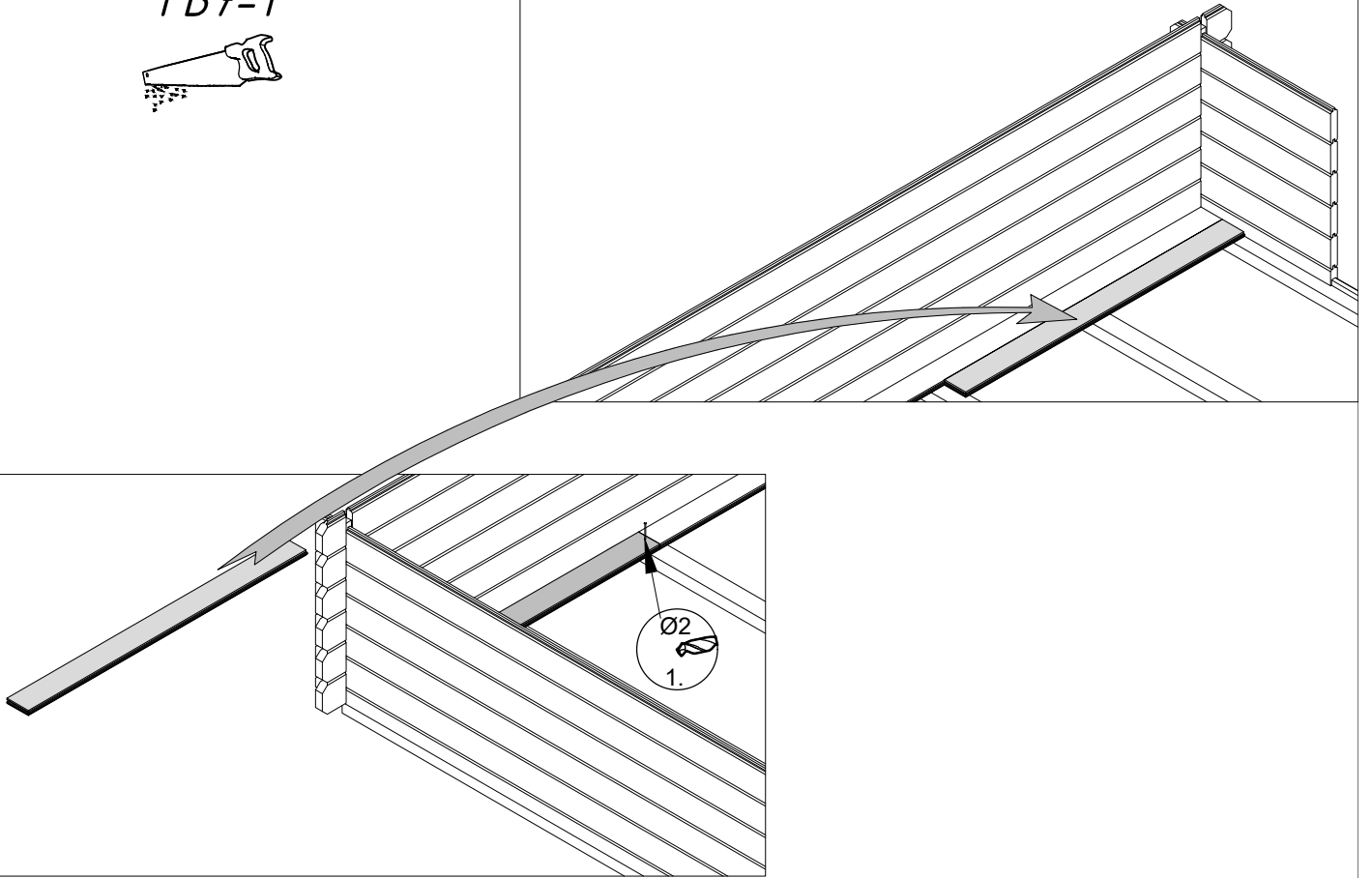


D

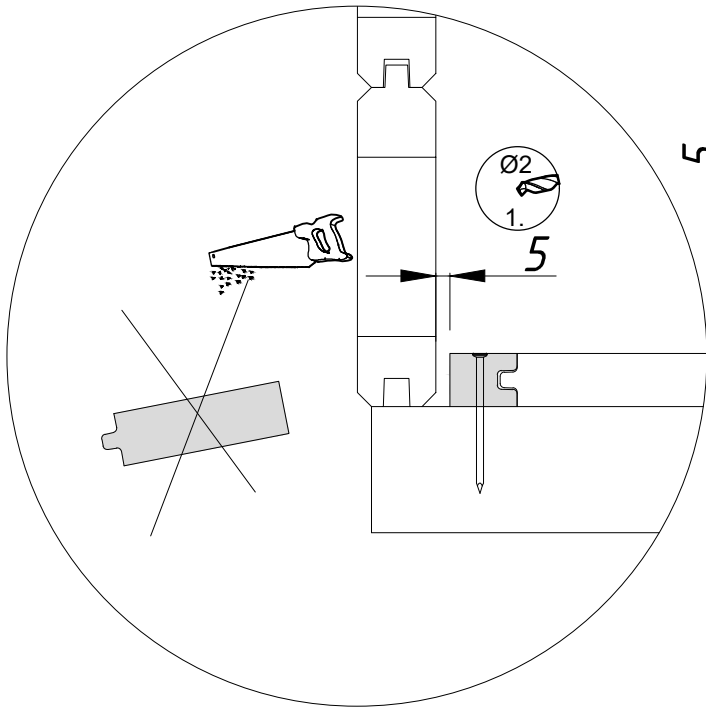
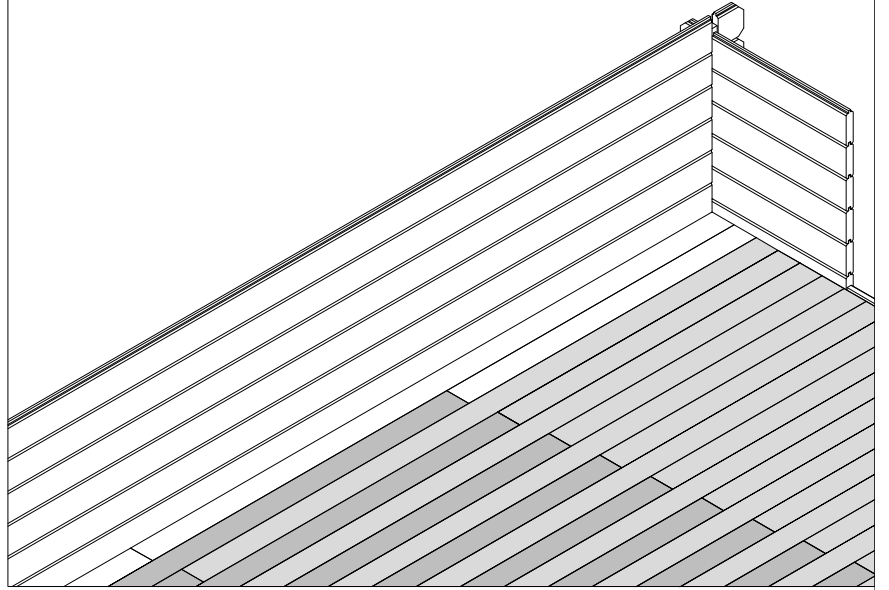


0mm ($D=19\text{mm}$)
5mm ($D=28-58\text{mm}$)
10mm ($D=70\text{mm}$)

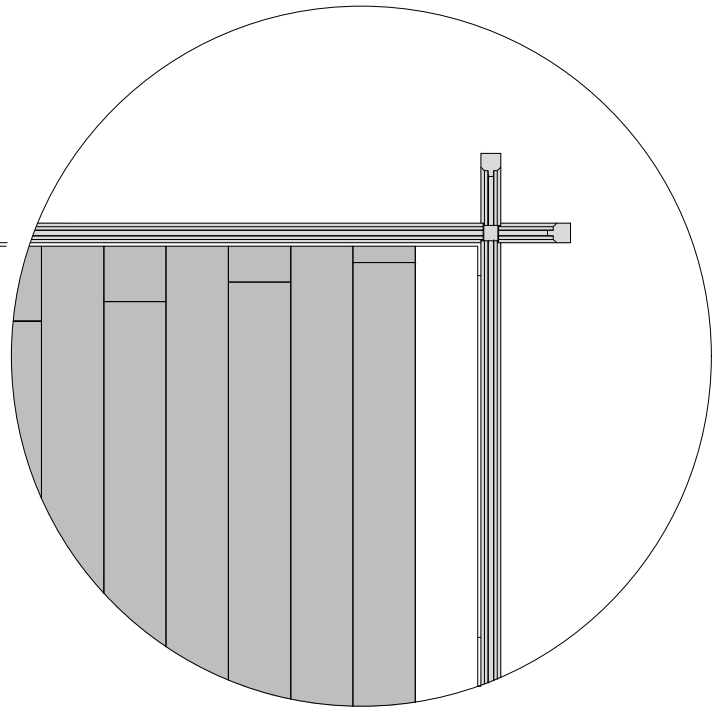
FB7-1



FB7-1



5



FIB2-1

