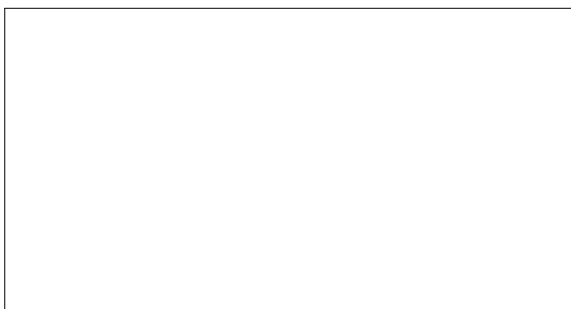
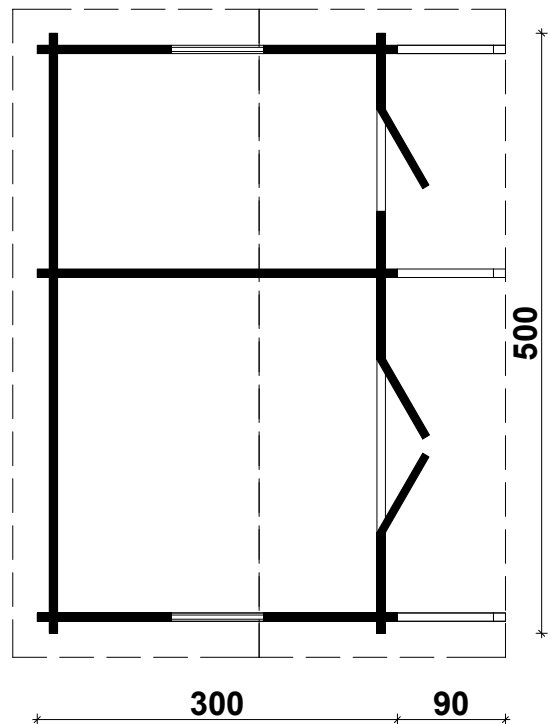
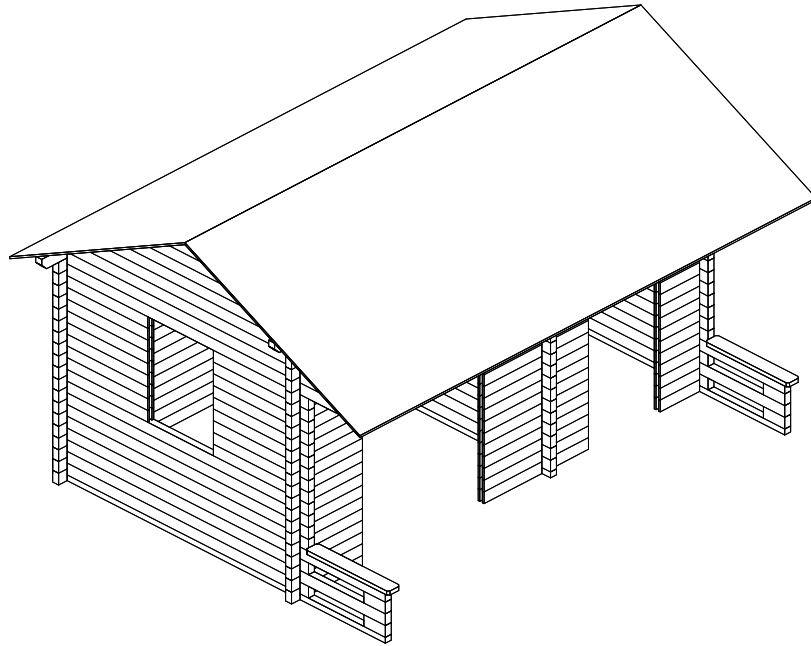


Techn. Data: Eeva

Log length (W x D): 300 x 500 cm

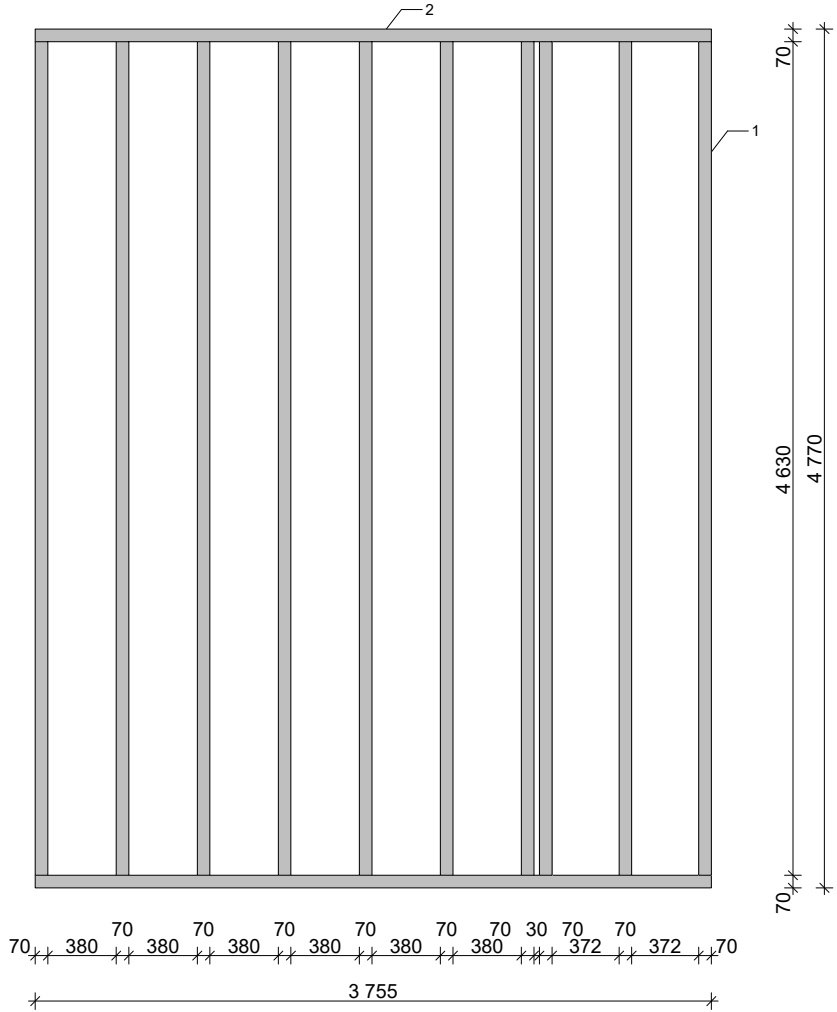
Wall size(outside): 280 x 480 cm · Log thickness: 70 mm



Note: All dimensions are approximate !

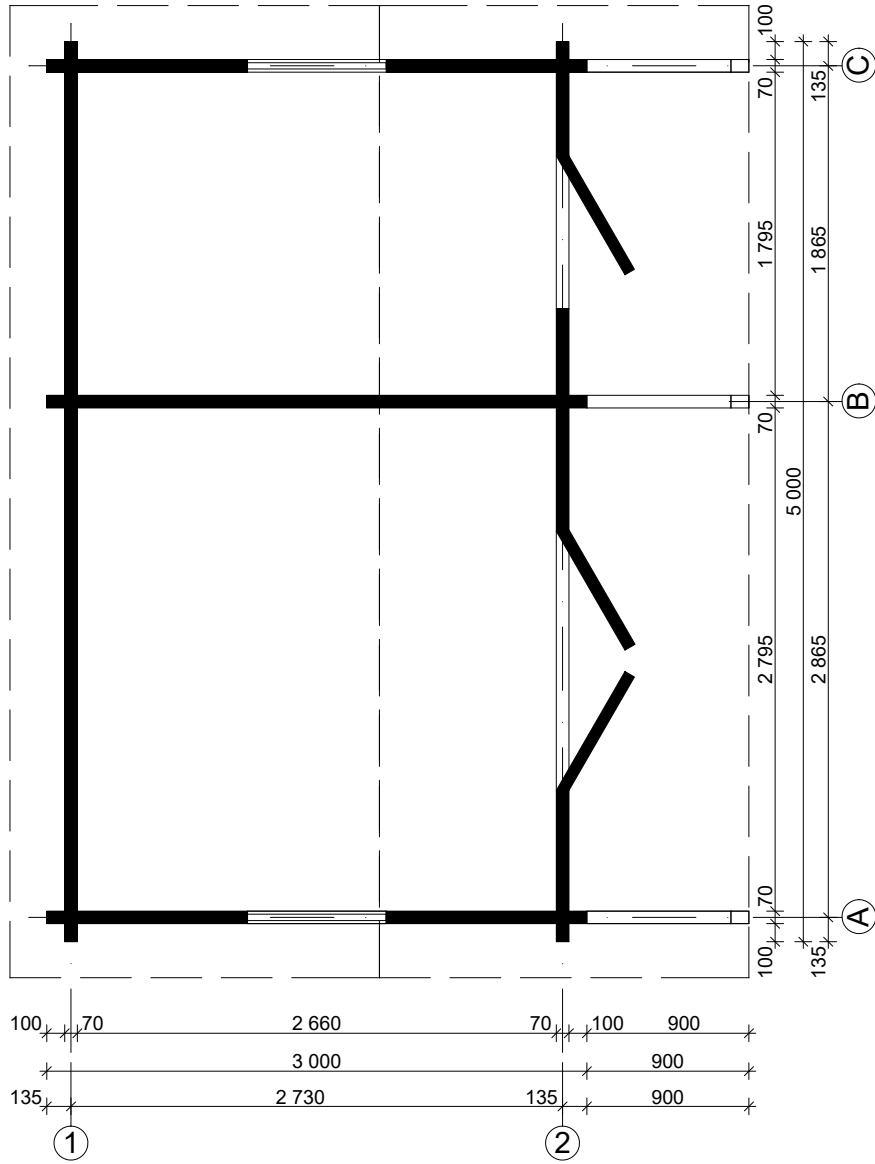
Eeva 70 mm / 300 x 500 cm

Foundation beams



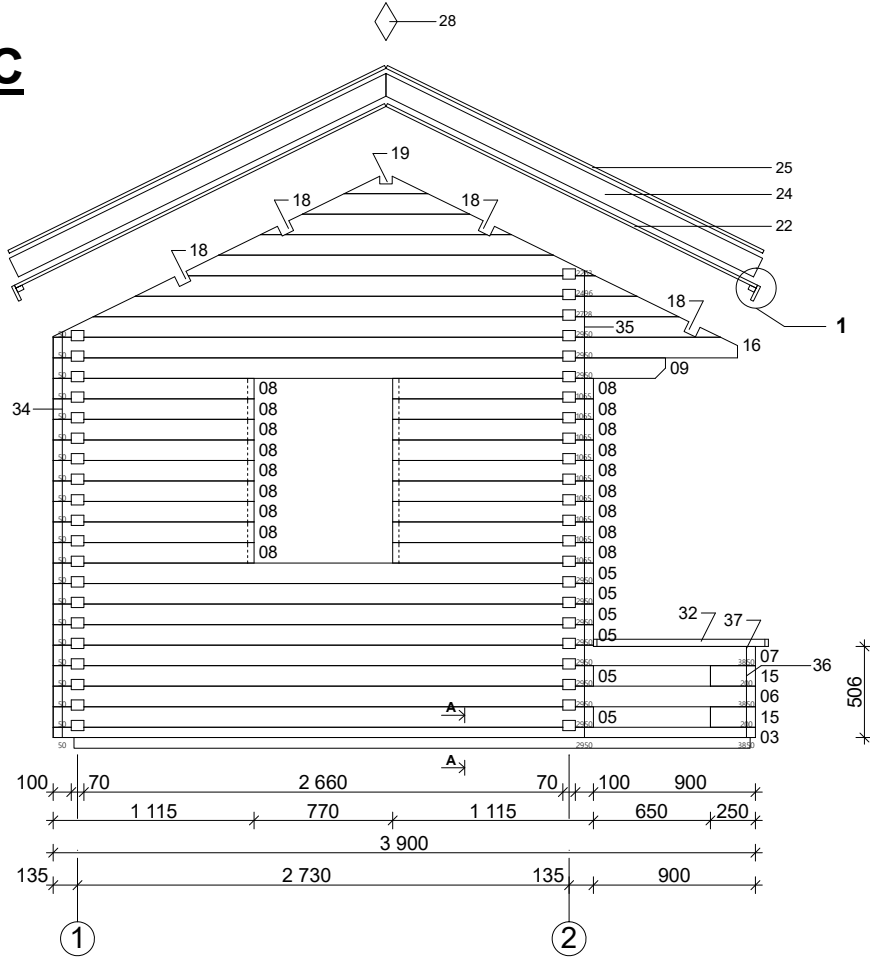
Eeva 70 mm / 300 x 500 cm

Ground plan

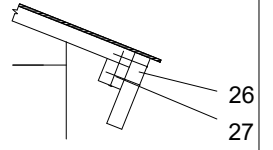


Eeva 70 mm / 300 x 500 cm

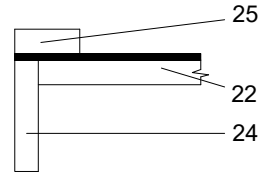
A, C



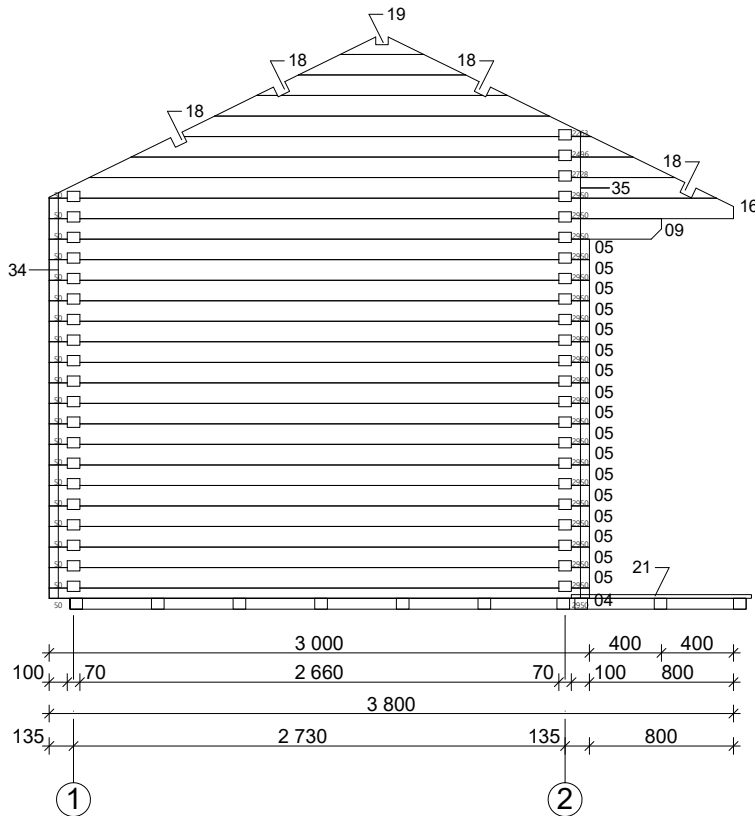
1



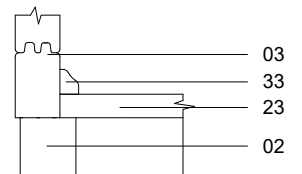
B-B



B

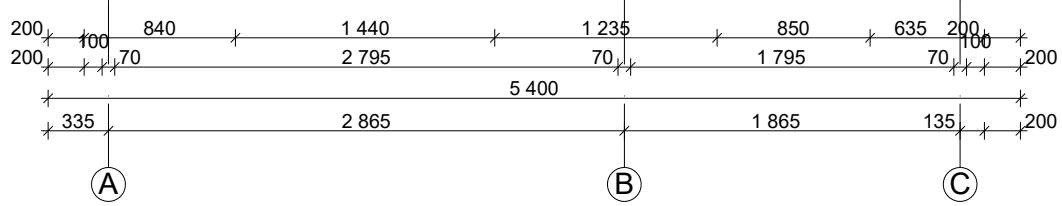
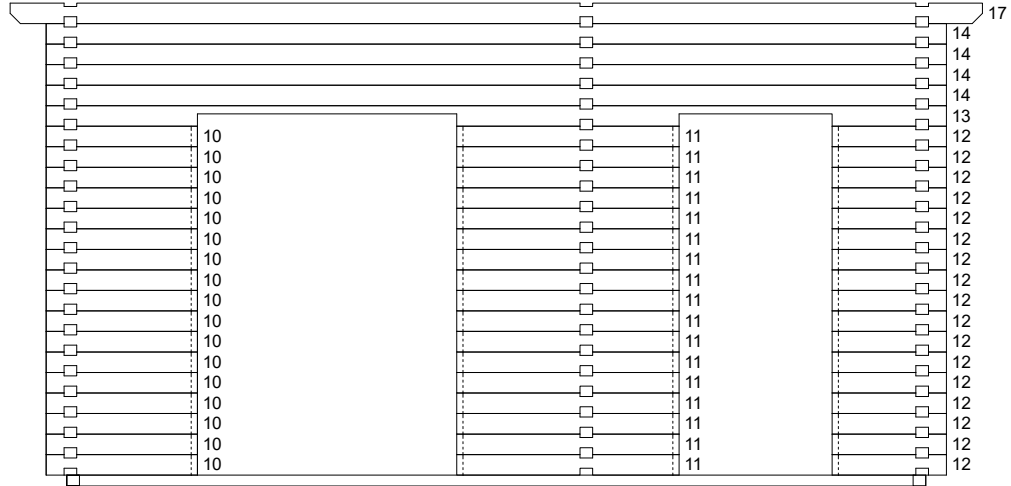
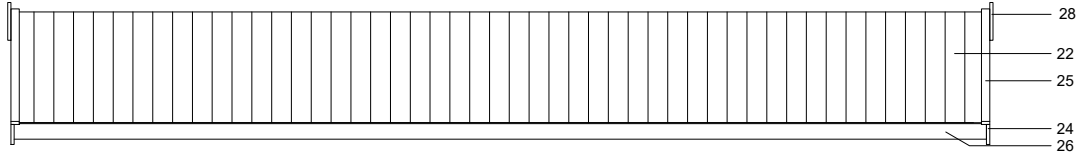


A-A

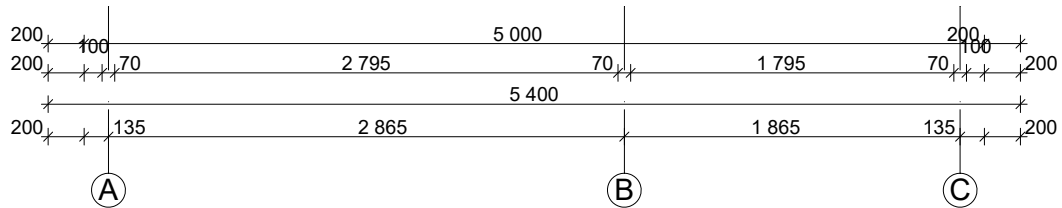
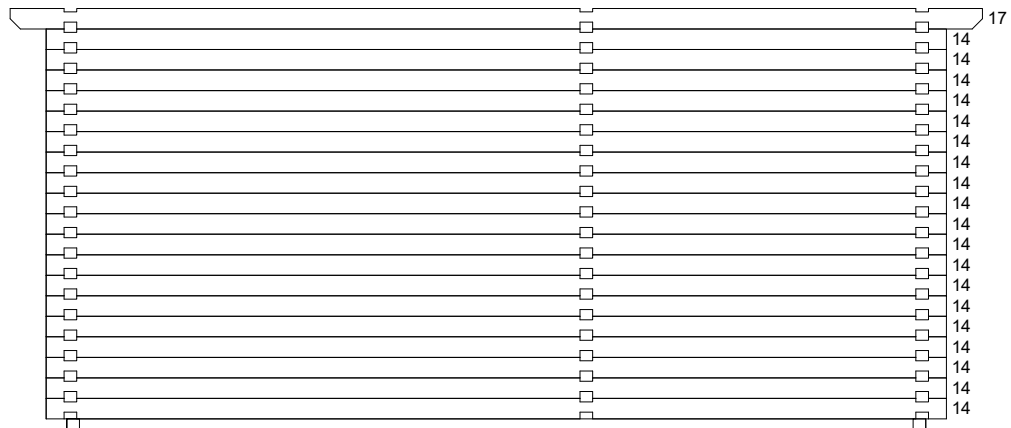


Eeva 70 mm / 300 x 500 cm


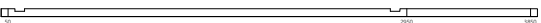
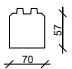
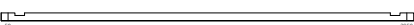

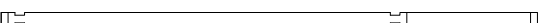


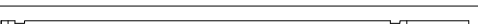





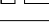
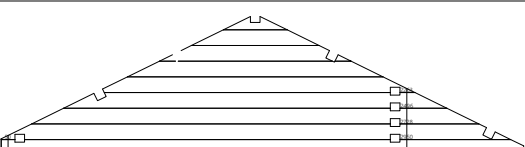

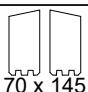

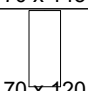

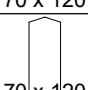
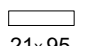
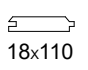
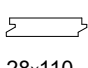



2



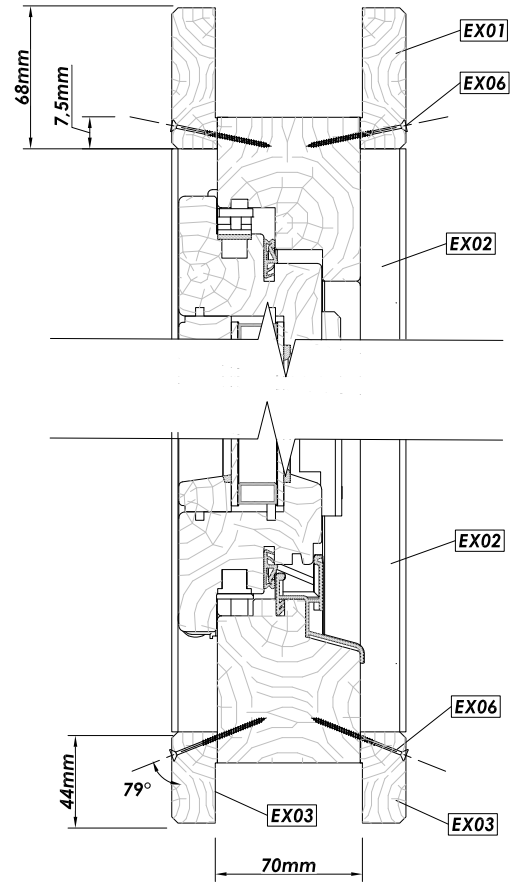
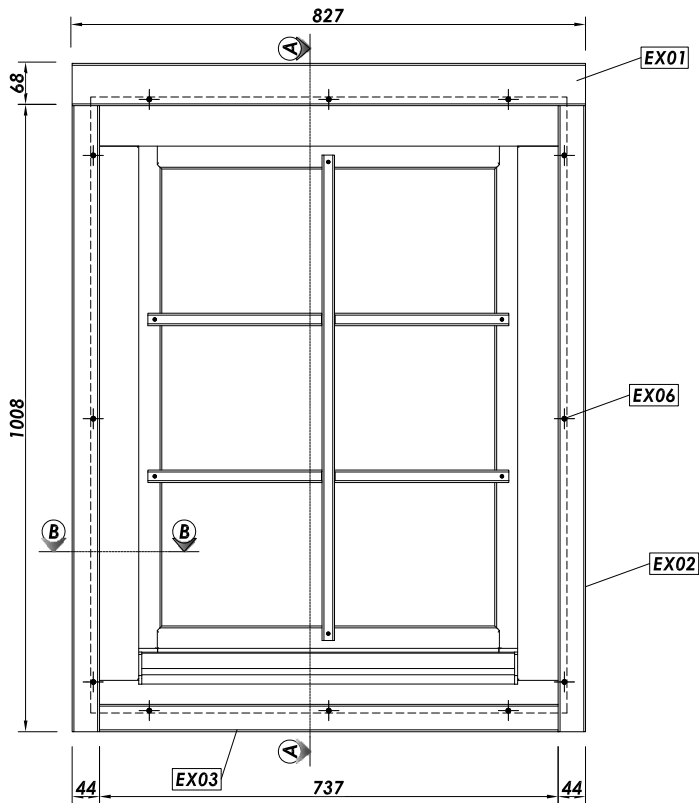
1



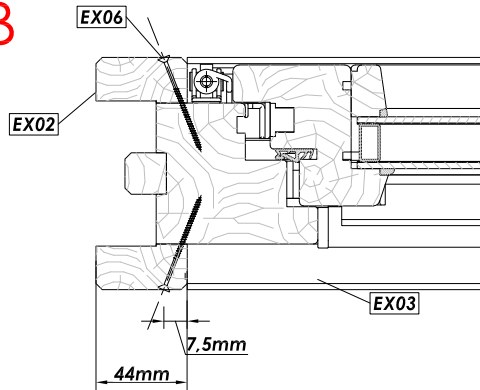
Specification - Eeva 70 mm / 300 x 500 cm

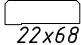
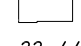

Nr	Description	Profile mm	Length mm	Quantity	
1	Foundation 	60x70	4630	10	
2			3755	2	
3			3900	2	
4			3000	1	
5			3000	29	
6			3900	2	
7			3900	2	
8			1115	36	
9			3800	3	
10			840	17	
11			1235	17	
12			635	17	
13			5000	1	
14			5000	23	
15			250	4	
16				3800	3
17			 70 x 145	5400	2(1+1)
18		 70 x 120	5400	4	
19		 70 x 120	5400	1	
20	Roofing felt		--	--	
21	Terrace board	 21x95	1000	47	
22	Roof board	 18x110	2290	100+2	
23	Floor board	 28x110	2657	43+1	
24	Facia board 	18x143	2330	4	
25	Eave edging	18x90	2330	4	
26	Roof edge reinforcement	18x115	5400	2	
27	Roof edge reinforcement	25x36	2700	4	
28	Diamond 			2	
29	Screws 4,0 x 40 ; 4,0 x 50			80/1000	
30	Screws 5,0 x 100 ; 6,0 x 140			60/30	
31	Nails 1,4 x 35			50	
32	Handrail 	143x40	970	2	

A - A

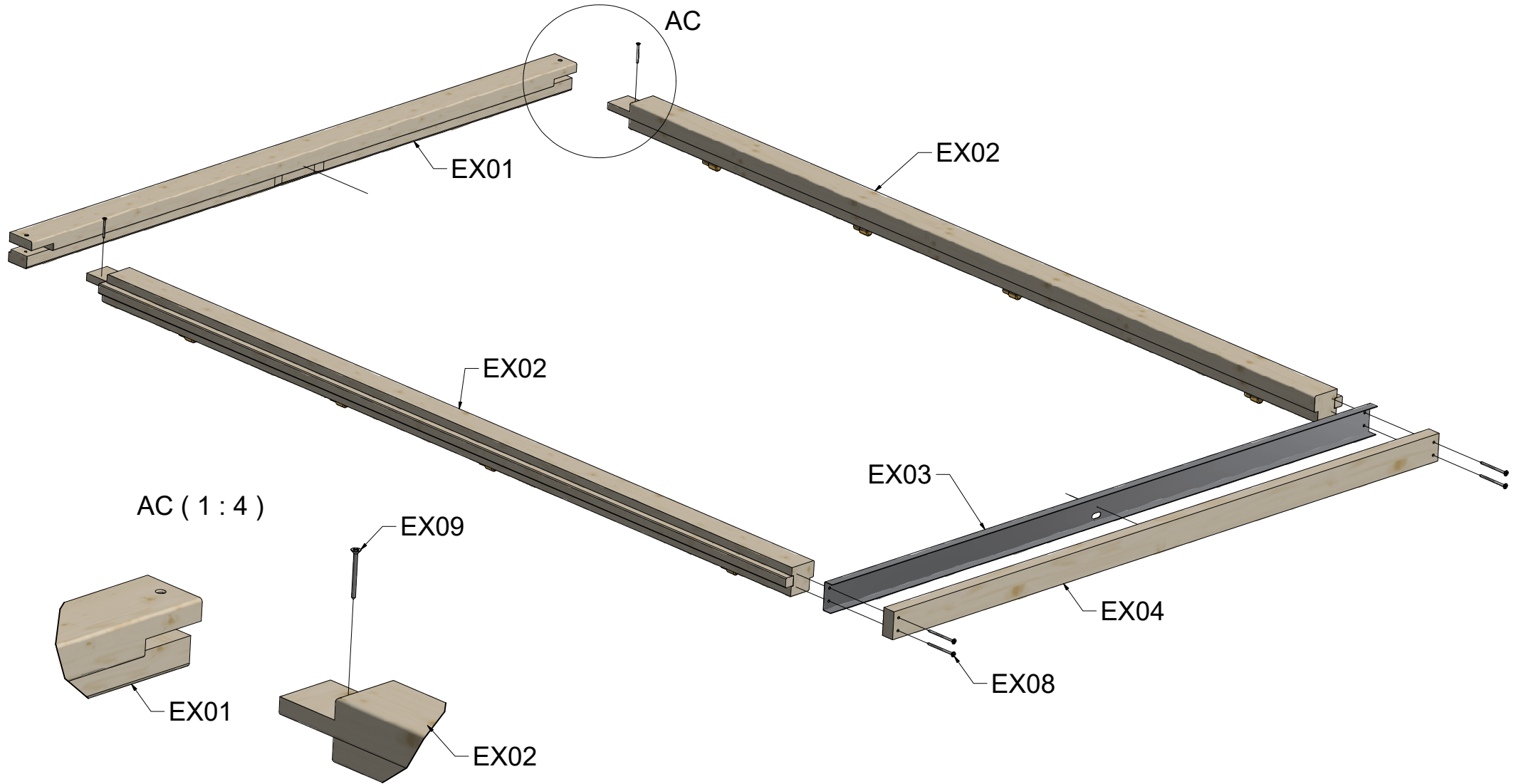


B - B

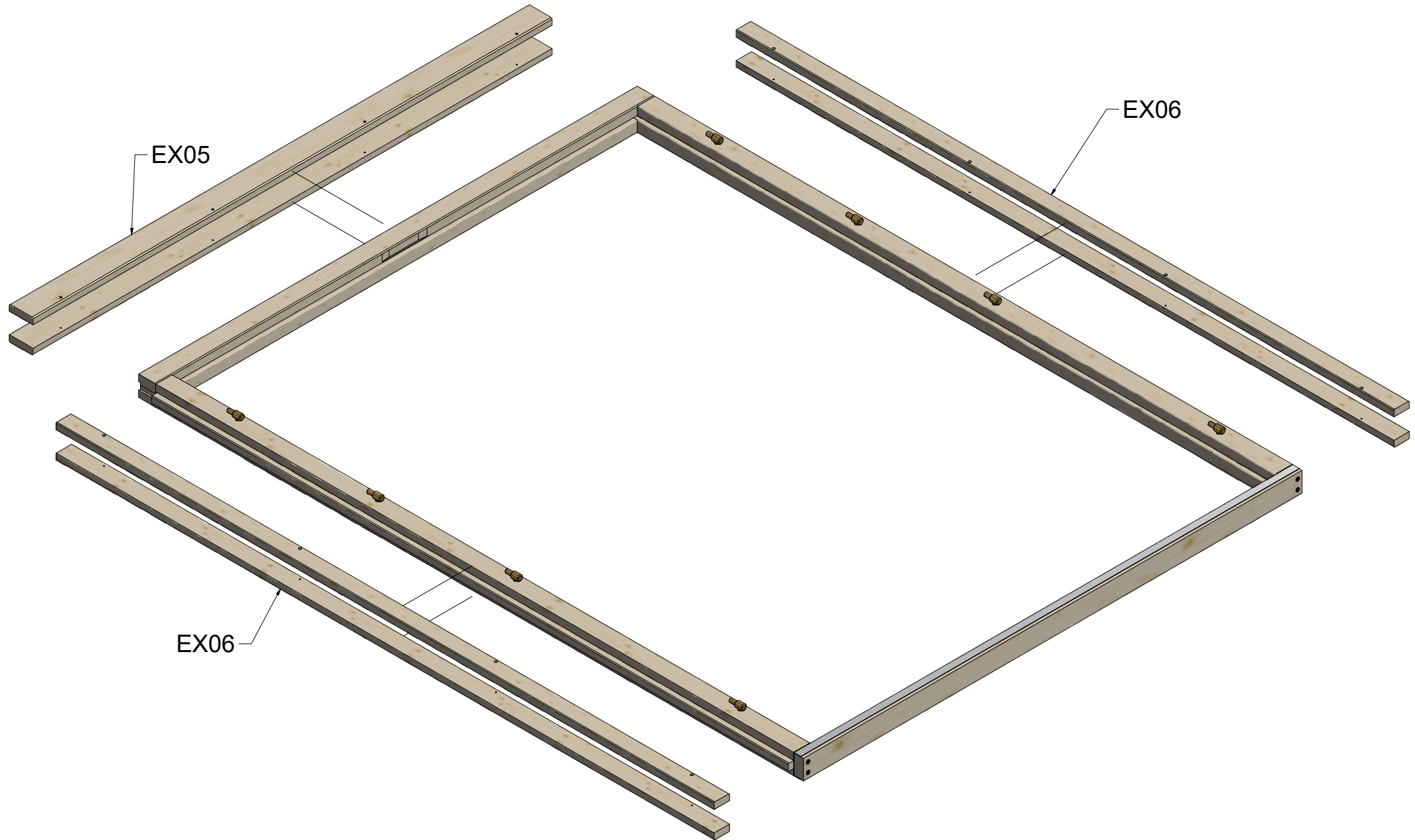


Premium Window 70mm / 765 x 990				
Nr.	Description	Profile mm	Length mm	Quantity
EX01	Exterior- and interior trim	 22x68	827	2
EX02	Exterior- and interior trim	 22x44	1008	4
EX03			737	2
EX04			--	--
EX05			--	--
EX06	Screws 3,5 x 50			24+2

Double Door Frame 58/70mm

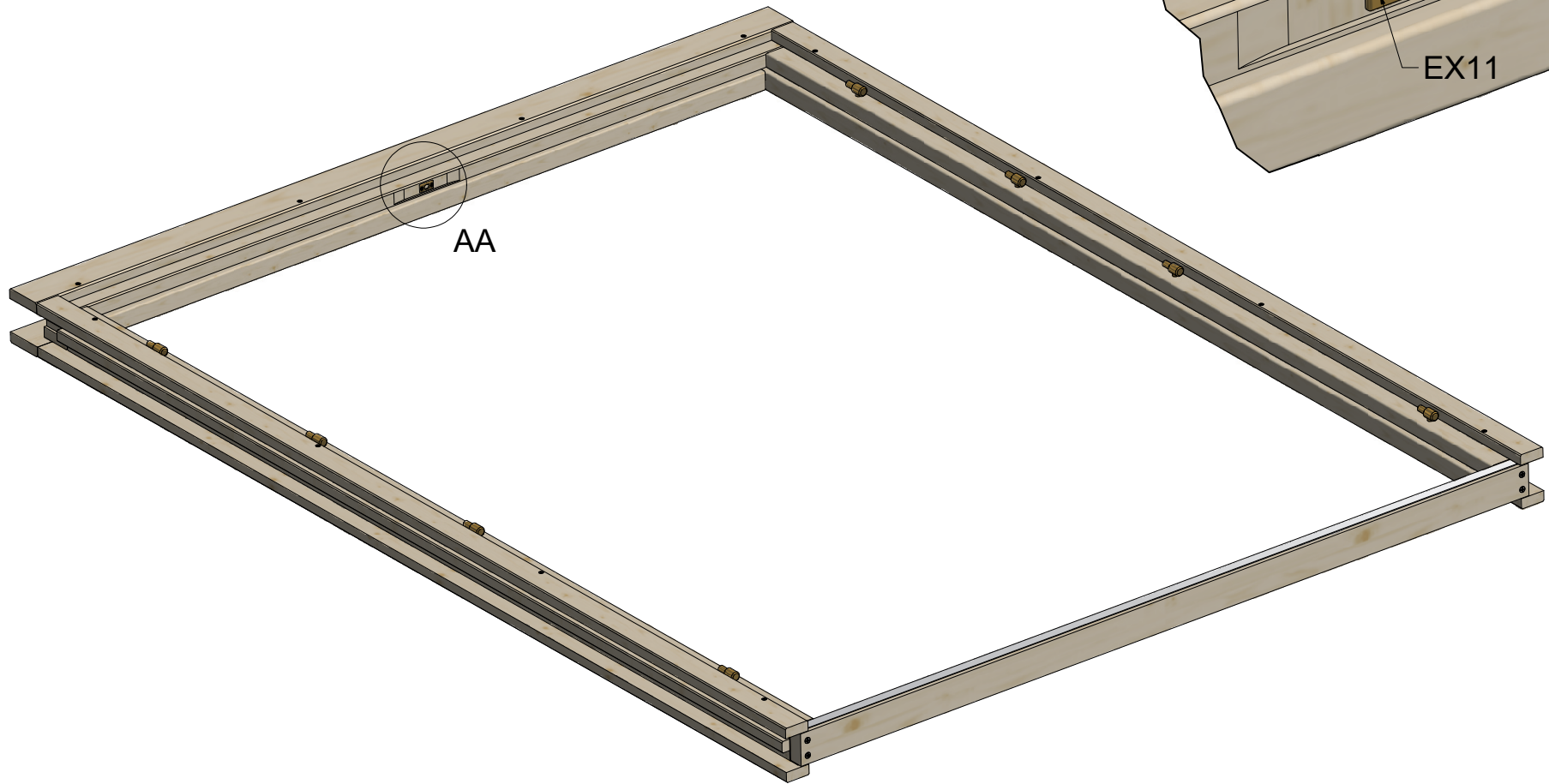
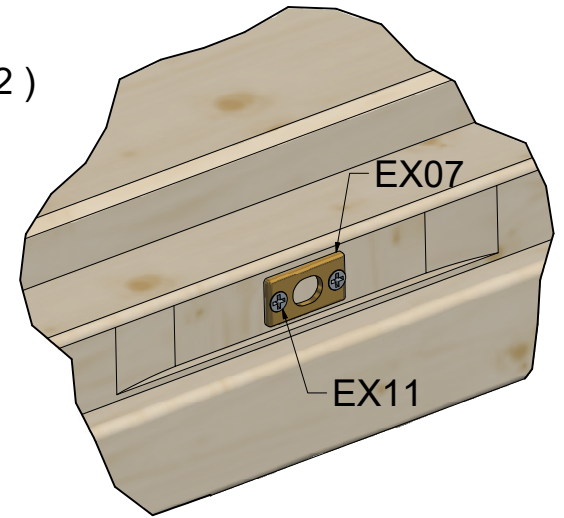


Double Door Frame 58/70mm

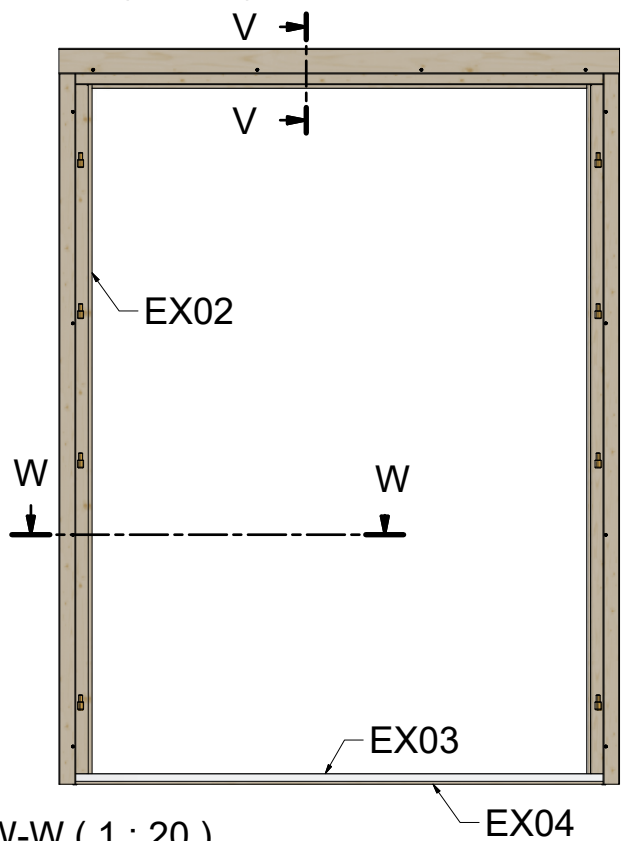


Double Door Frame 58/70mm

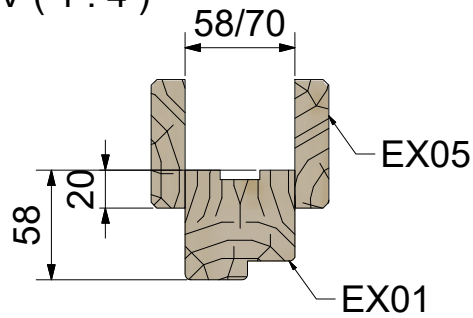
AA (1 : 2)



VIEW43 (1 : 20)



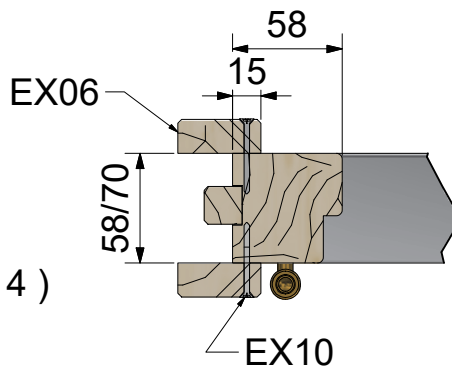
V-V (1 : 4)
















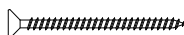



W-W (1 : 20)



Y (1 : 4)



Specification Double Door Frame 58/70mm

Nr	Description	Profile	Amount
EX01		 58 X 58/70	1
EX02		 58 X 58/70	1+1
EX03		 15 X 58/70	1
EX04		 28 X 58/70	1
EX05		 18 X 68	2
EX06		 18 X 44	4
EX07			1
EX08	Screws 5,0 x 70 		4
EX09	Screws 4,0 x 50 		2
EX10	Screws 4,0 x 40 		24
EX11	Screws 3,0 x 30 		2