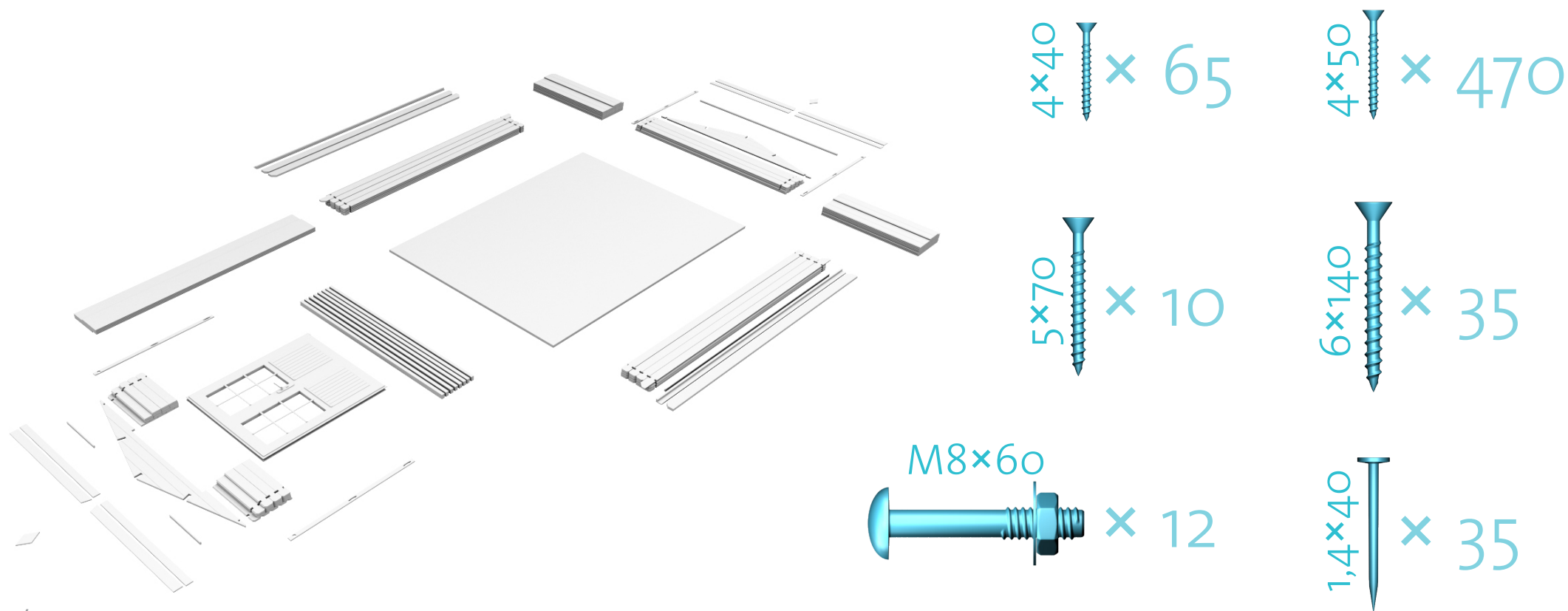
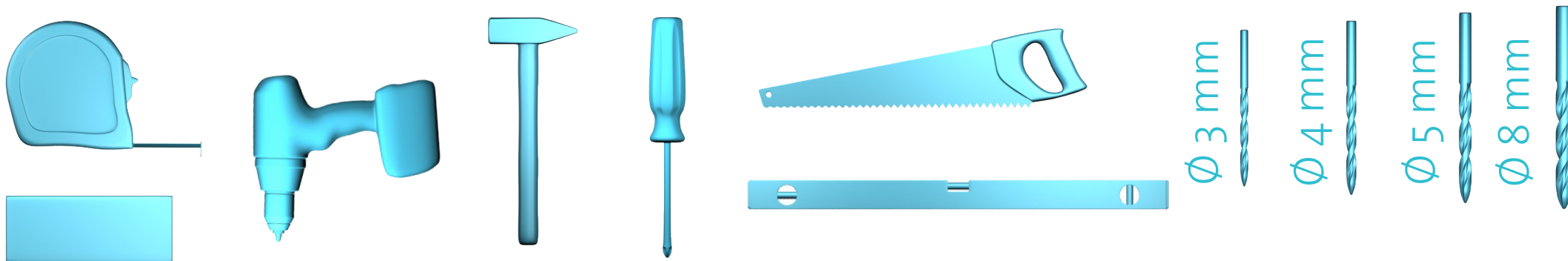
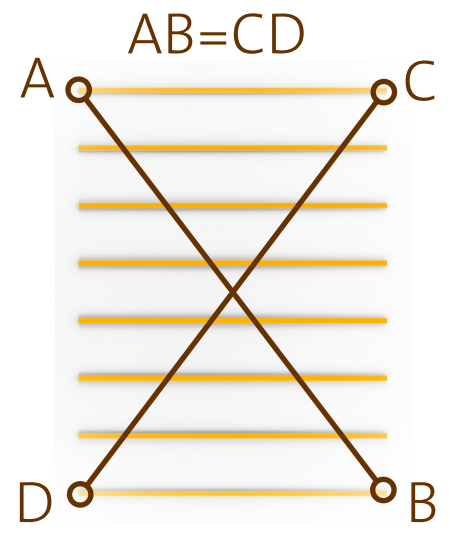


PREPARE THE GROUND, UNWRAP THE PACKAGE,
LAY OUT THE COMPONENTS, FIND THE TOOLS.

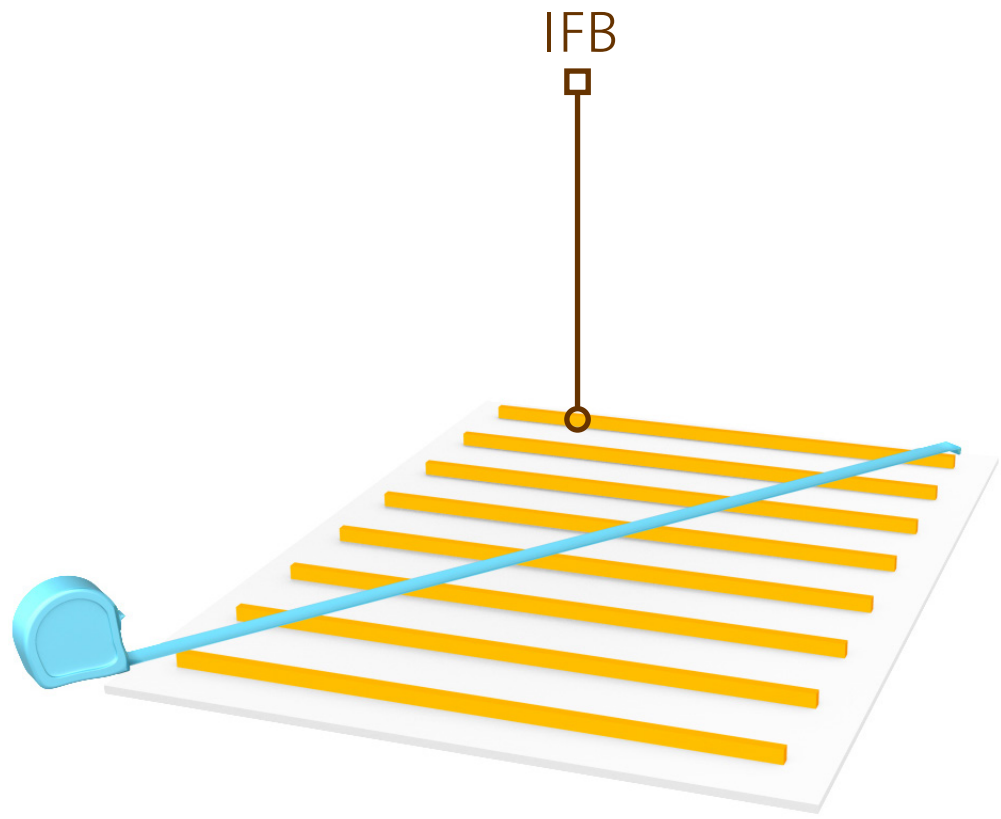
BENTE IV 28



LAY OUT THE FOUNDATION BEAMS AND SQUARE IT BY MEASURING FROM CORNER TO CORNER.



BENTE IV 28

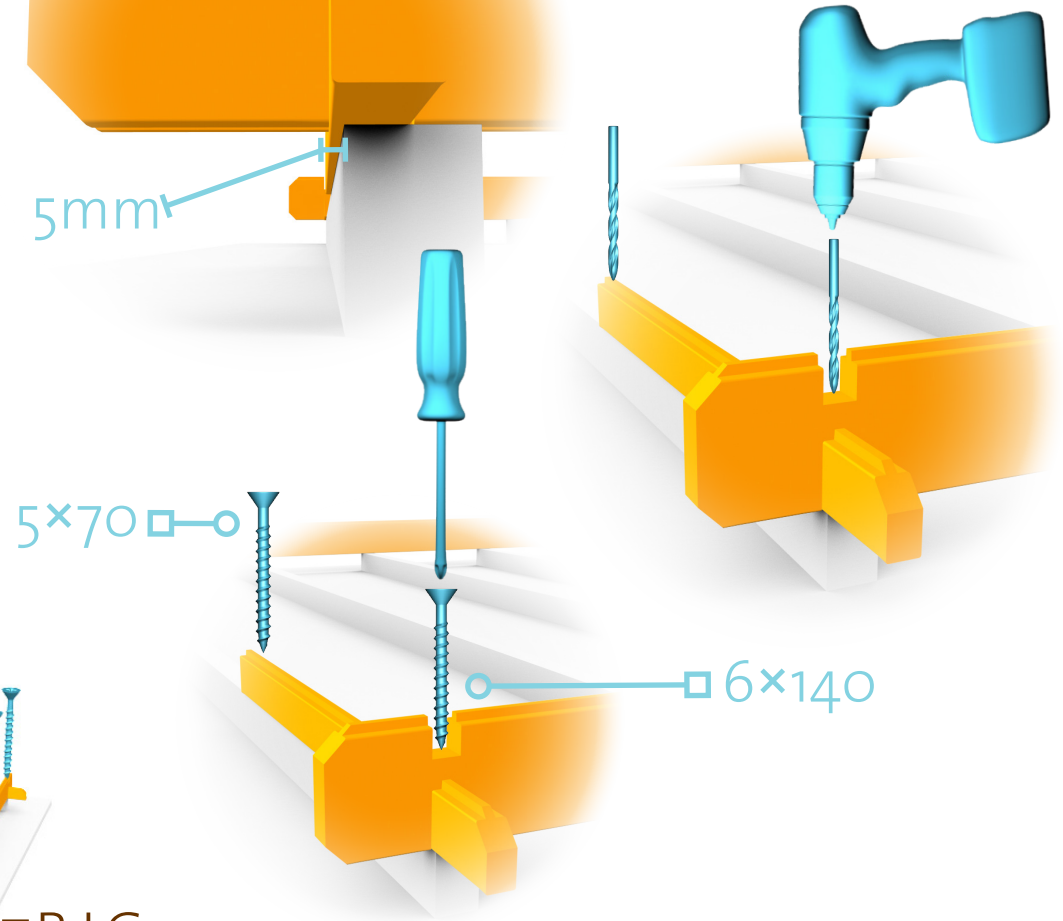
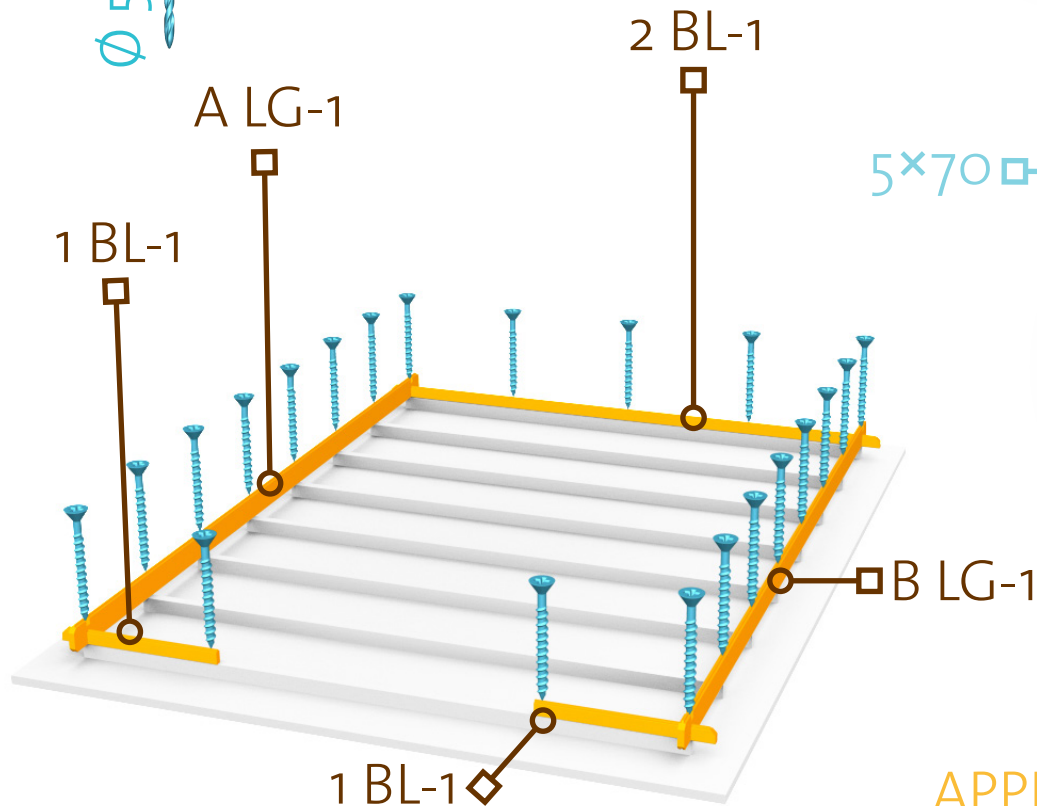


MAKE SURE THAT THE FOUNDATION IS INSTALLED ON A LEVEL SURFACE. CHECKING ALL DIRECTIONS, INCLUDING CORNER TO CORNER. 3%

LAY OUT THE **BOTTOM** LOGS,
ATTACH TO THE FOUNDATION.

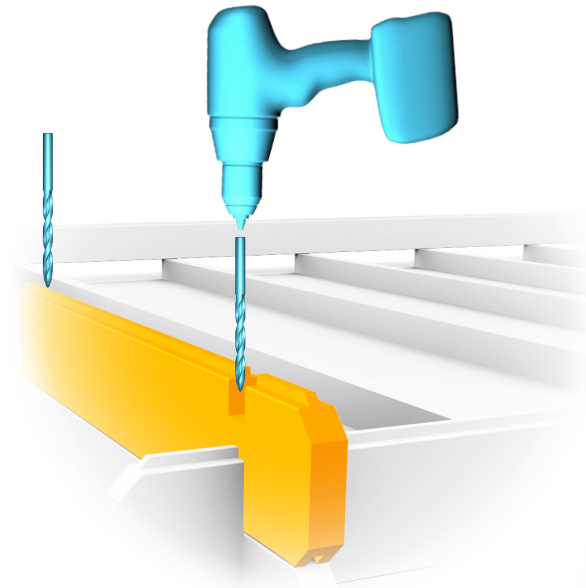
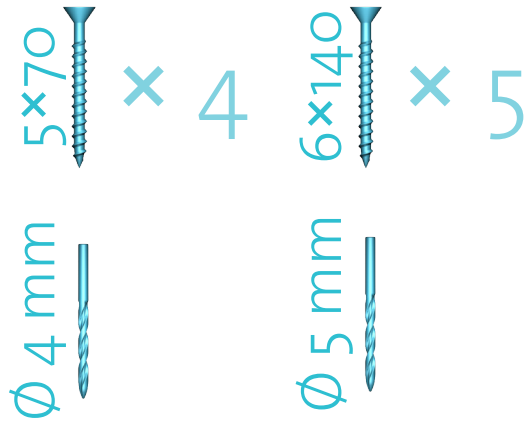
BENTE IV 28

5×70 \times 5 6×140 \times 16
 $\varnothing 4$ mm $\varnothing 5$ mm

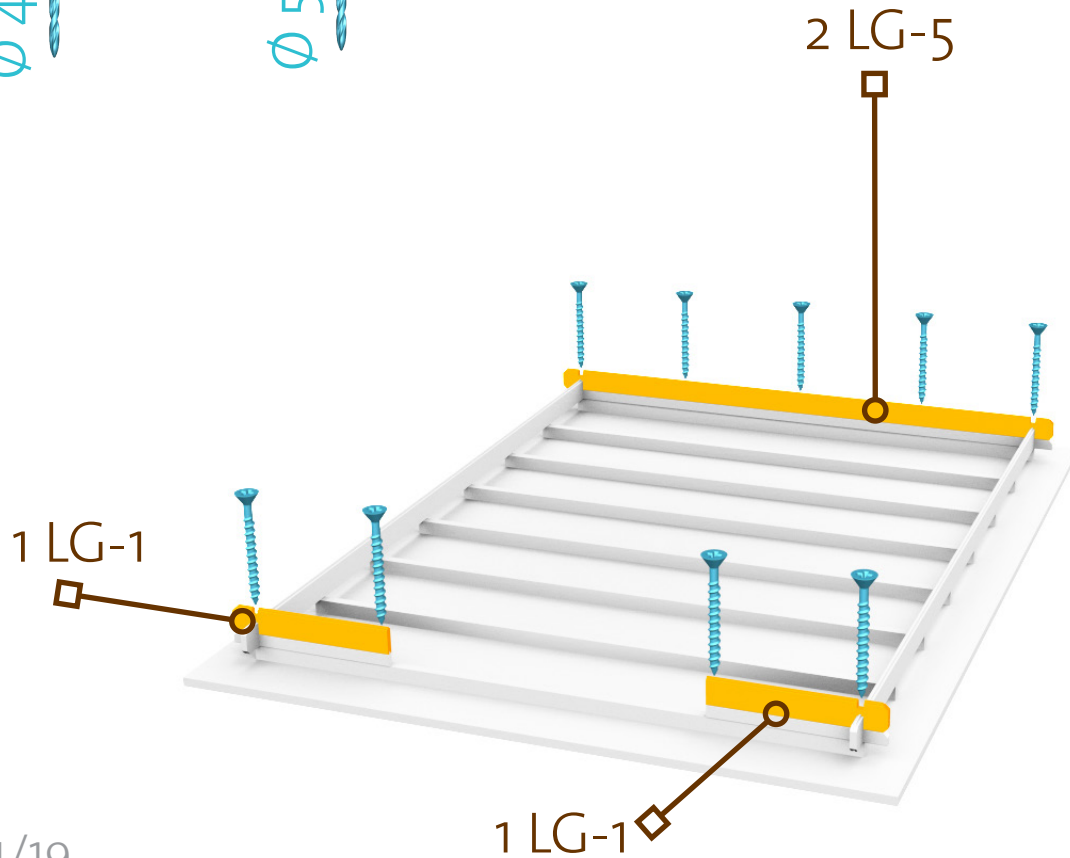
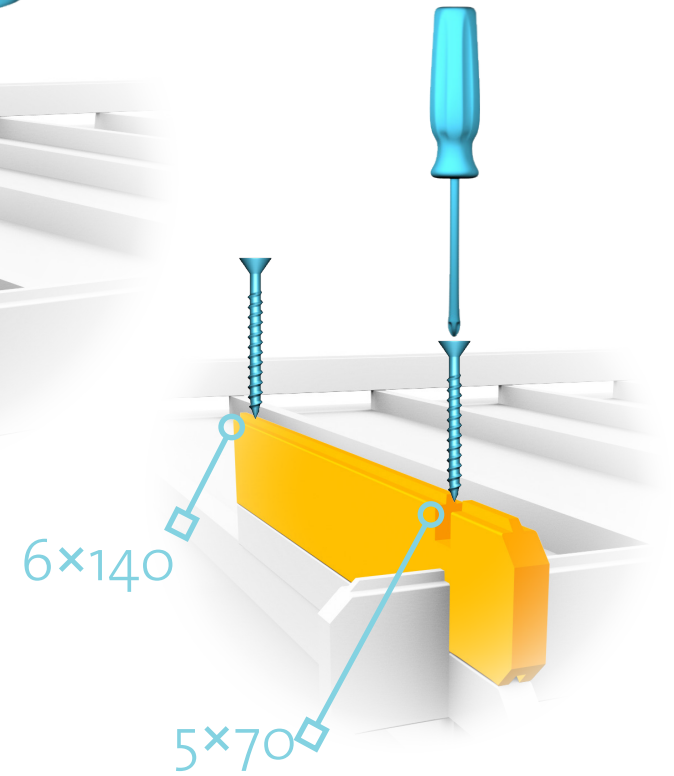


THE WALL **LOGS** WILL HANG OVER
THE FOUNDATION **BEAMS** BY
APPROXIMATELY 5MM. THIS OVERHANG
IS DESIGNED AS A RAIN DRIP. **5%**

ATTACH THE FIRST ROW OF
WALL LOGS INTO THE BOTTOM
LOGS WITH **SCREWS**.

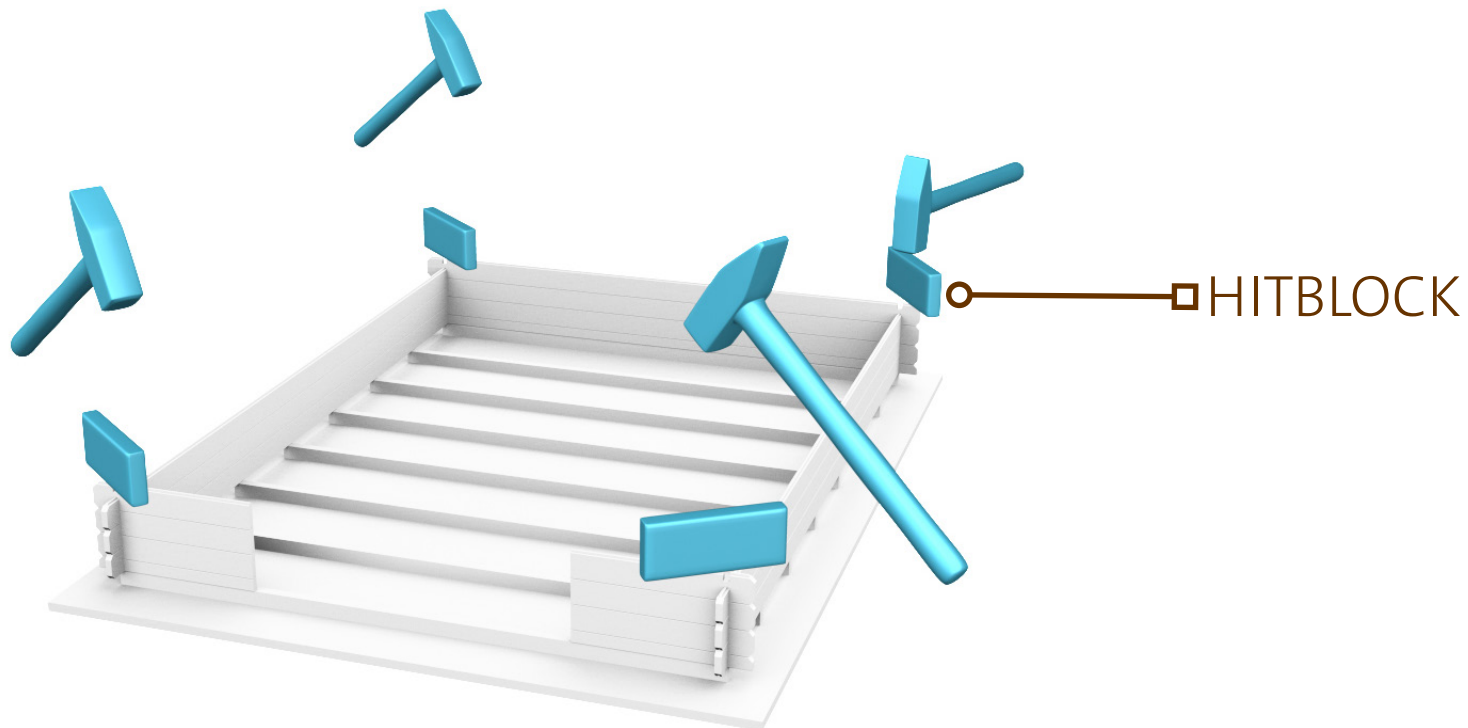


BENTE IV 28



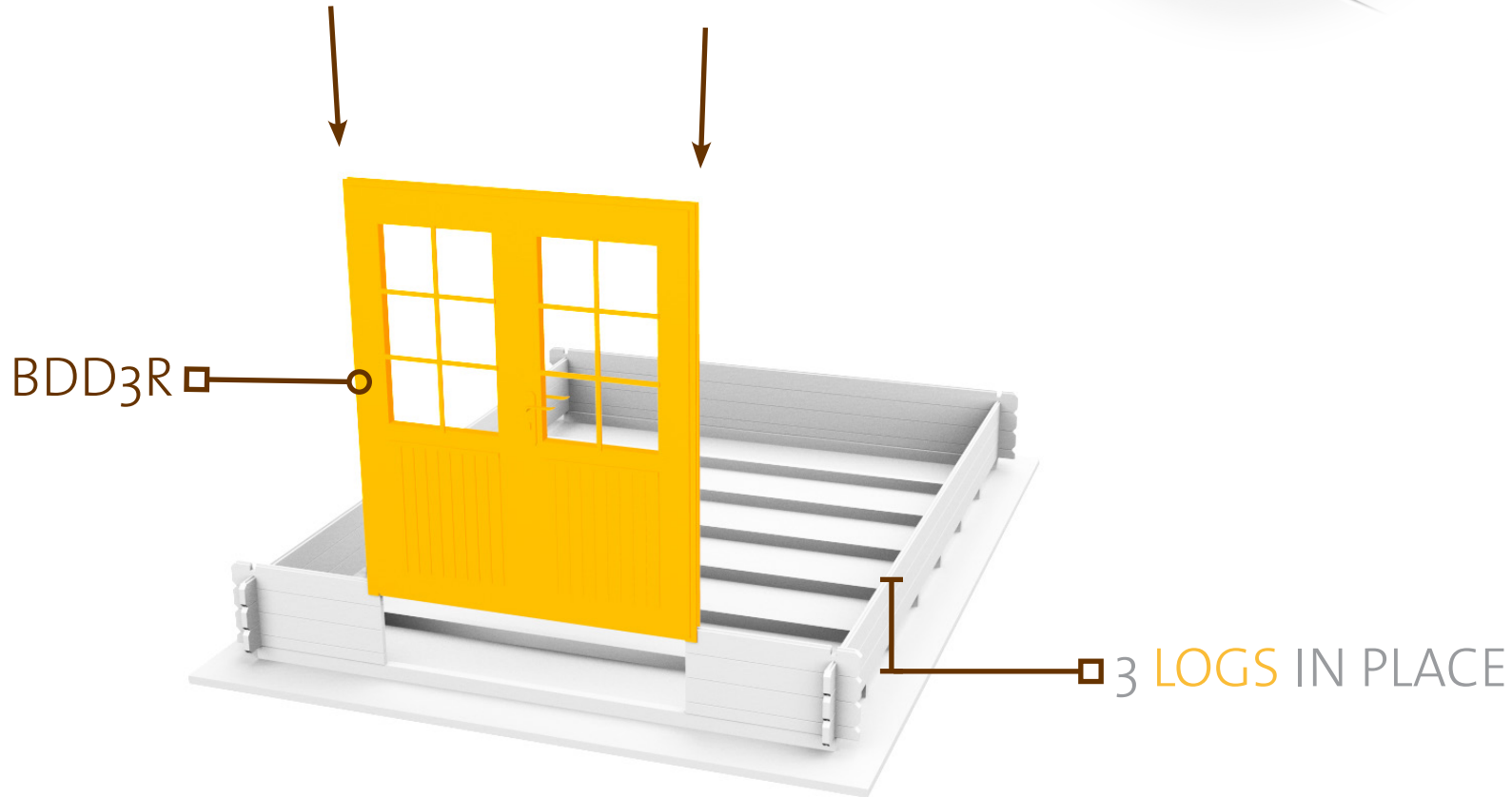
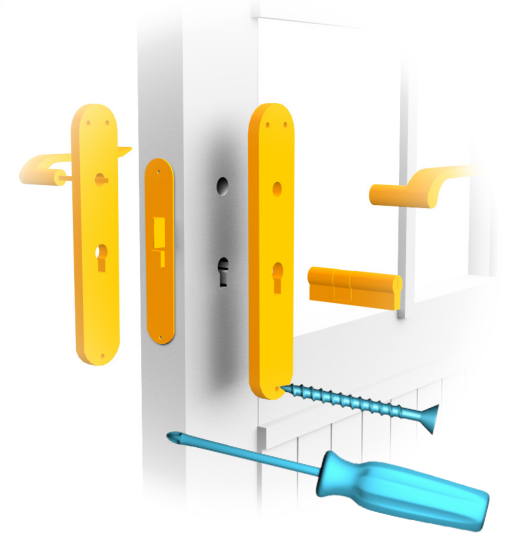
AFTER PLACING 3-4 ROWS OF WALL LOGS, TAP EACH WALL LOG IN PLACE USING A HAMMER AND THE HITBLOCK PROVIDED, TO TIGHTEN THE LOGS.

BENTE IV 28



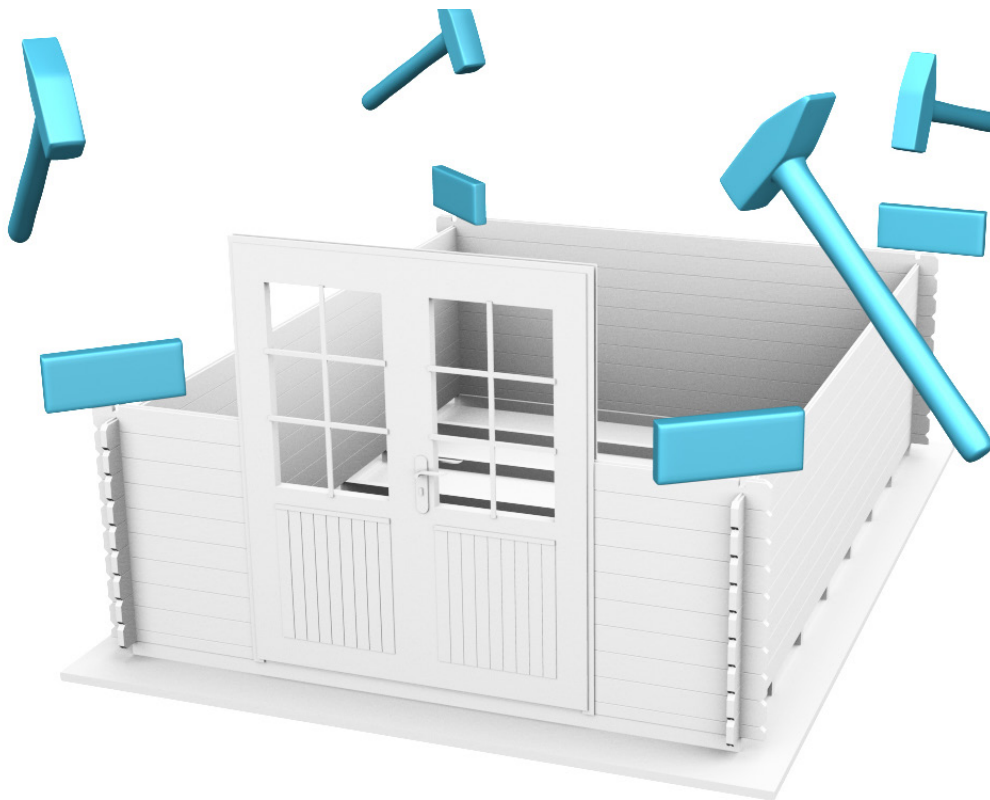
SLIDE THE DOOR IN,
ATTACH THE HANDLE.

BENTE IV 28



DON`T FORGET TO
TIGHTEN THE LOGS AFTER
EVERY 3-4 ROWS.

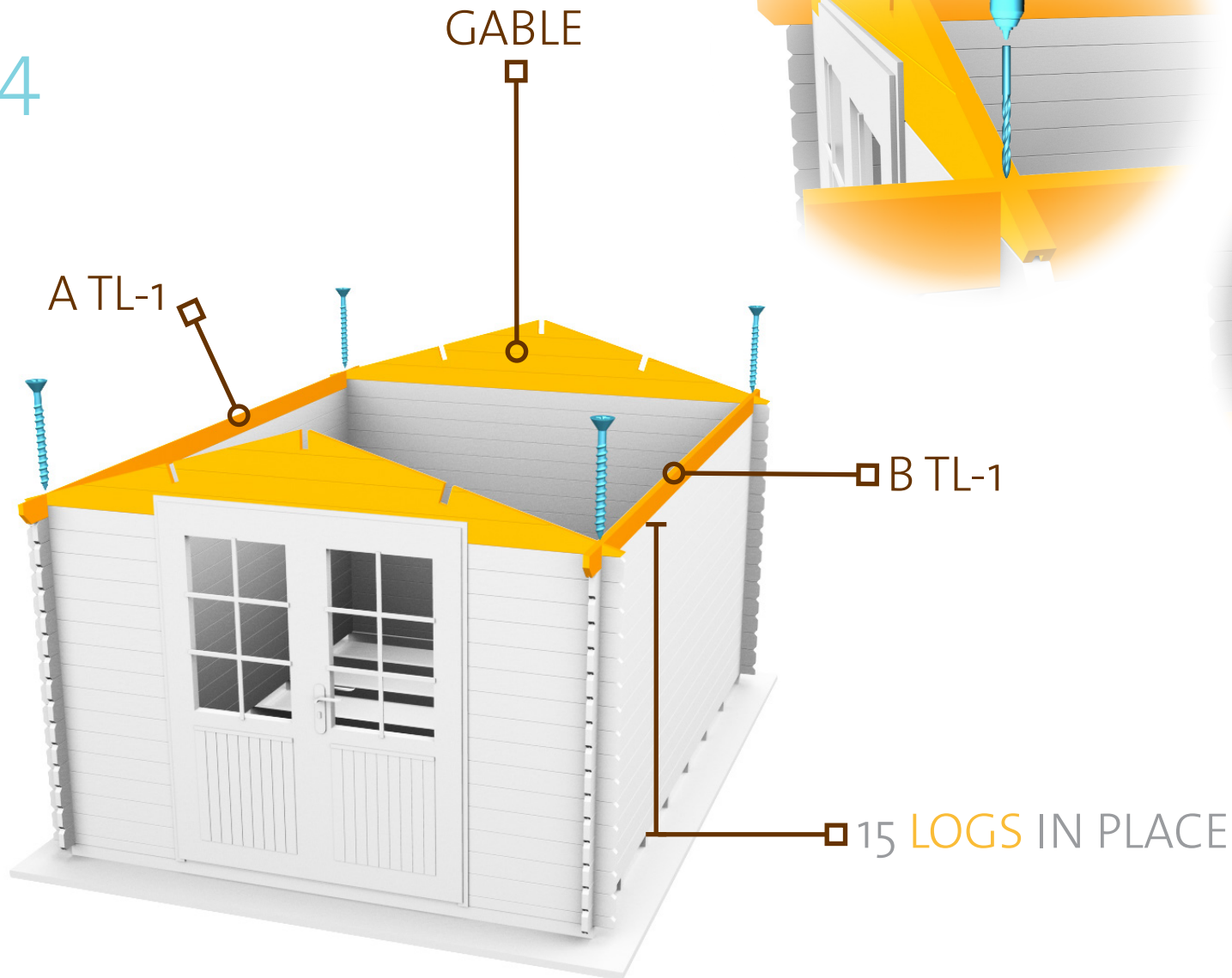
BENTE IV 28



INSTALL THE GABLES WITH LONG SCREWS TO THE WALL LOGS ON THE FRONT AND REAR WALLS.

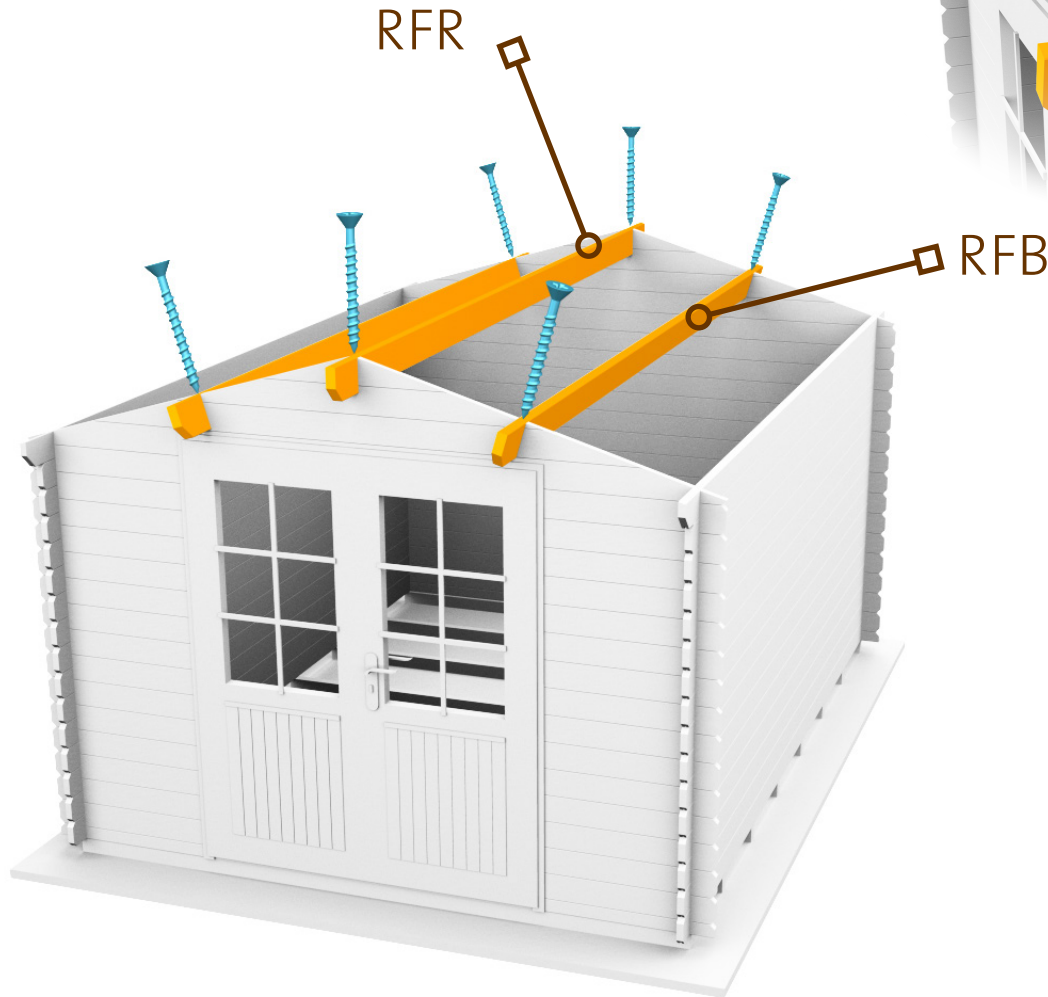
BENTE IV 28

6x140 × 4
Ø 5 mm

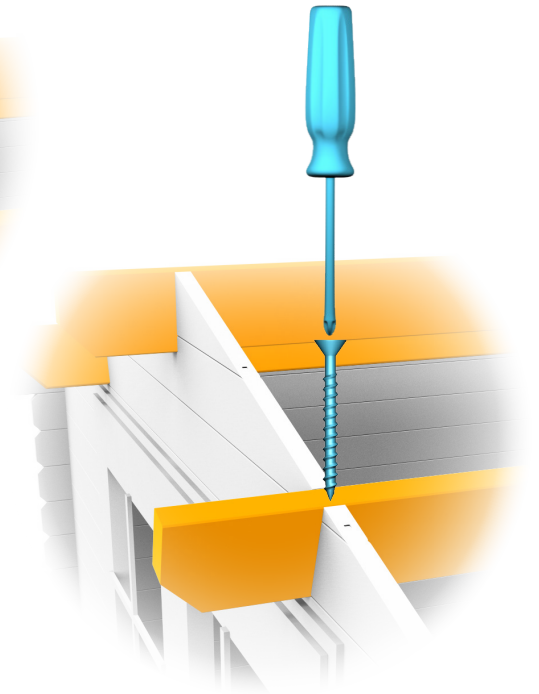


INSTALL THE **ROOF** PURLINS AND
ATTACH THEM WITH SCREWS.

6x140 × 6
Ø 5 mm



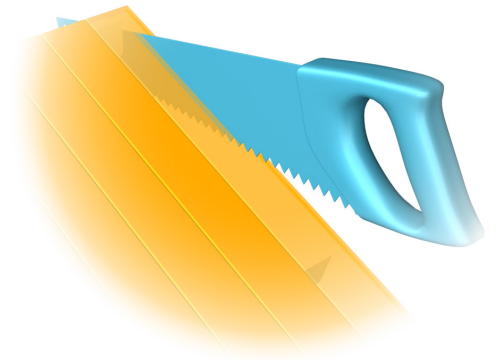
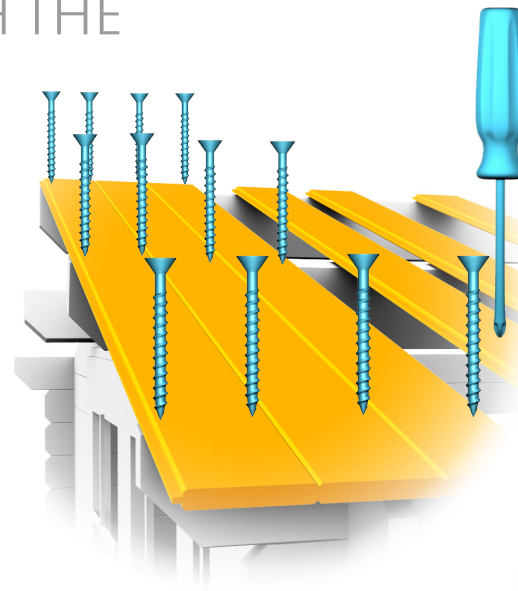
BENTE IV 28



PLACE THE FIRST **ROOFBOARD** FLUSH WITH THE
END OF THE **PURLINS** AND ATTACH
WITH 6 SCREWS, 3 INTO **EACH** NEXT,
SAW THE LAST **BOARD** TO MAKE IT FIT.

4x50  × 234

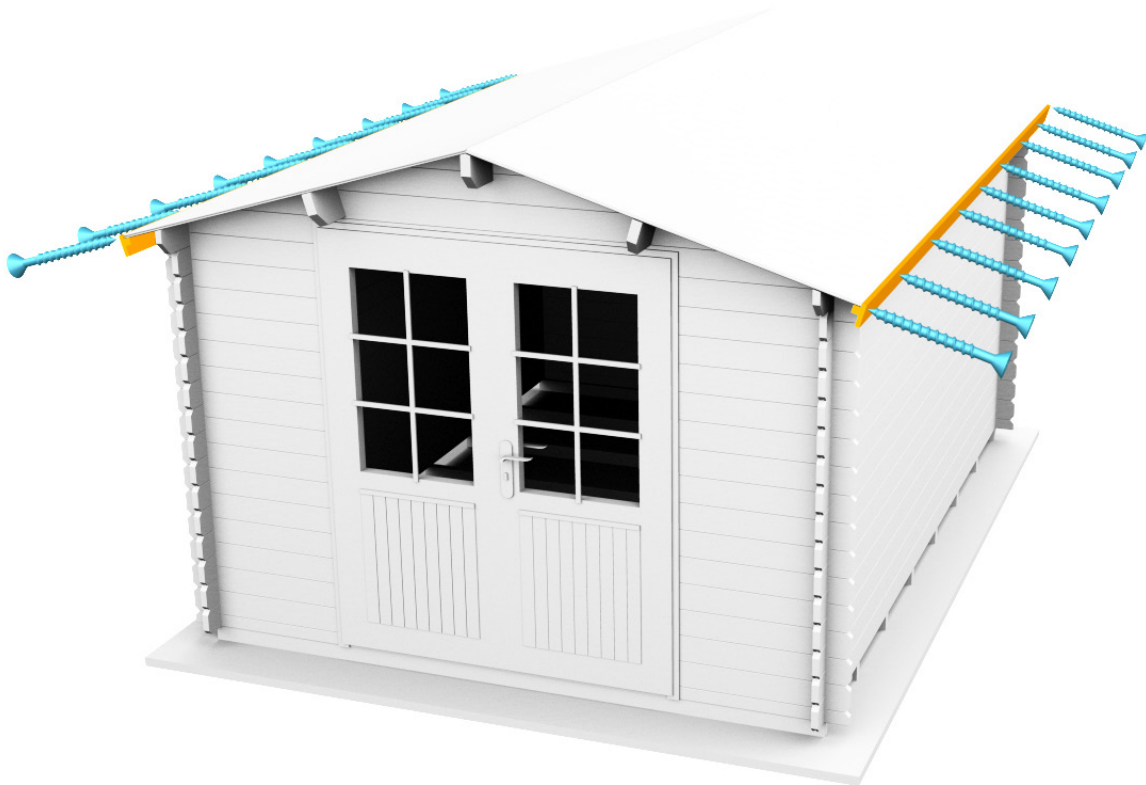
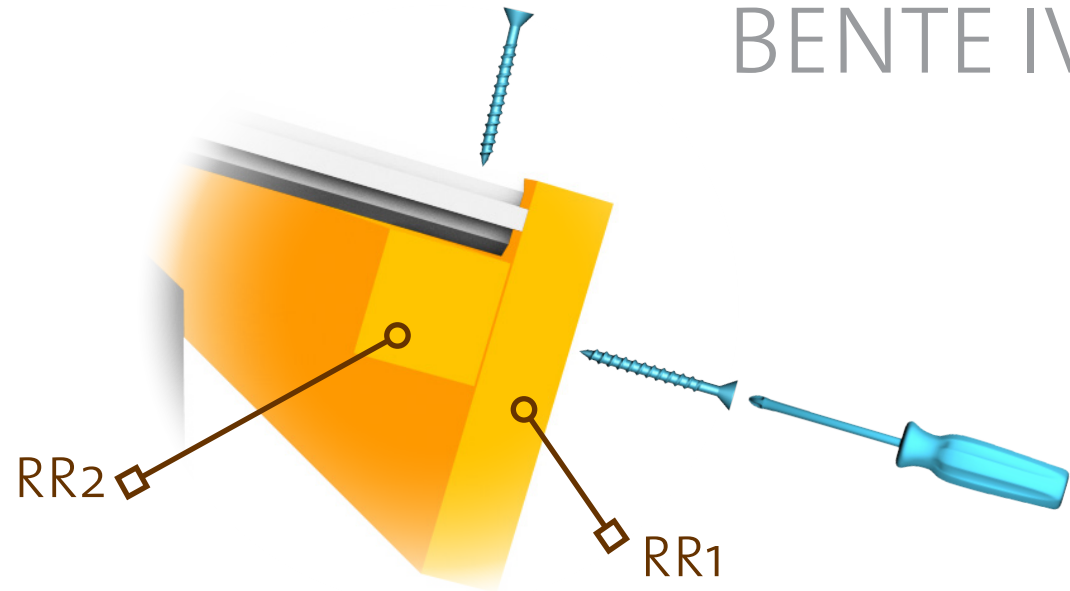
BENTE IV 28



FOR THE FASCIA TRIMS INSERT
SCREWS AFTER EVERY 0,5 METERS.

BENTE IV 28

4x40
× 36



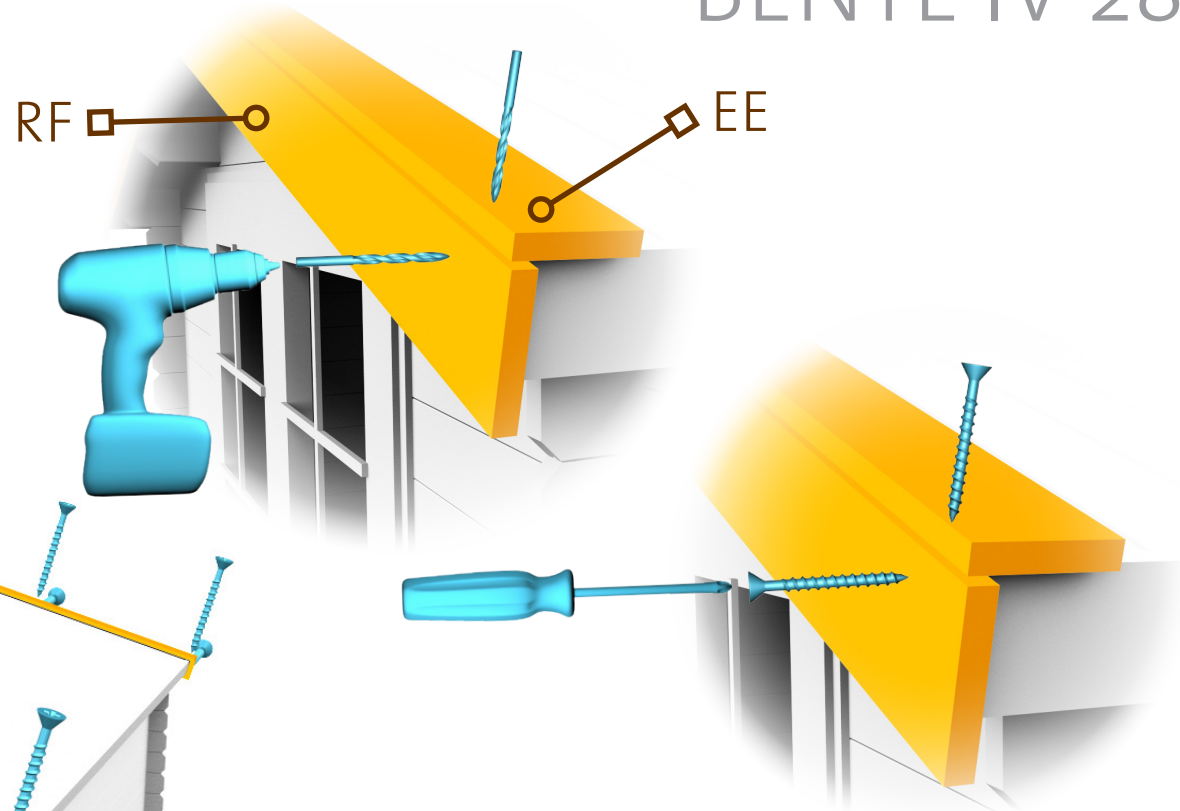
EAVES EDGES GO ON TOP OF THE ROOFING*.

*(NOT INCLUDED)

BENTE IV 28

4x40 × 24

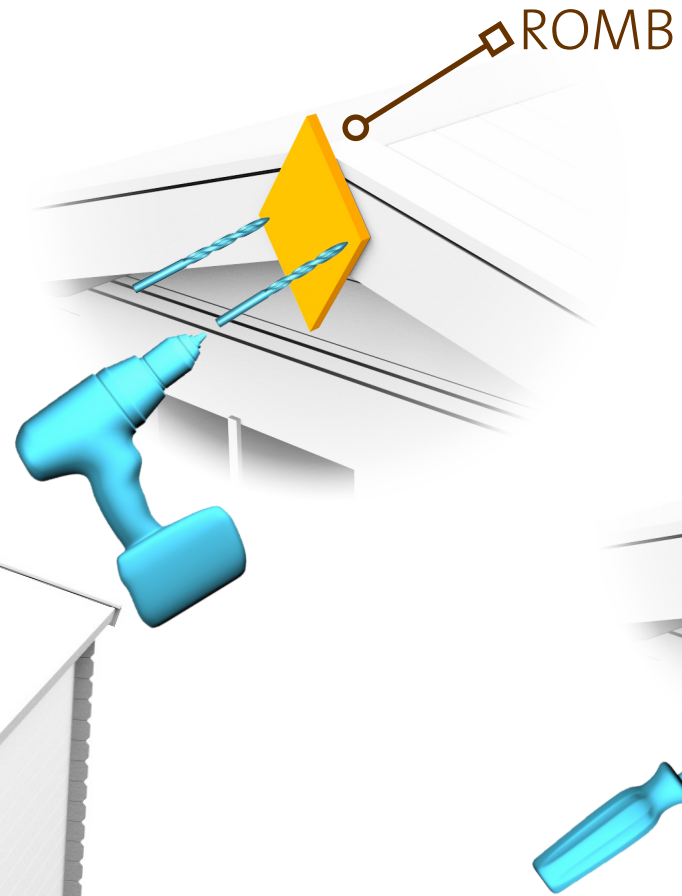
Ø 3 mm



ATTACH ROMBS WITH SCREWS.

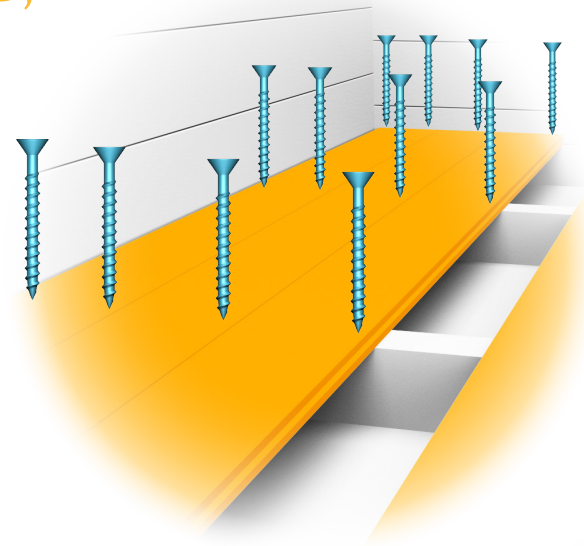
BENTE IV 28

4x40
× 4
Ø 3 mm

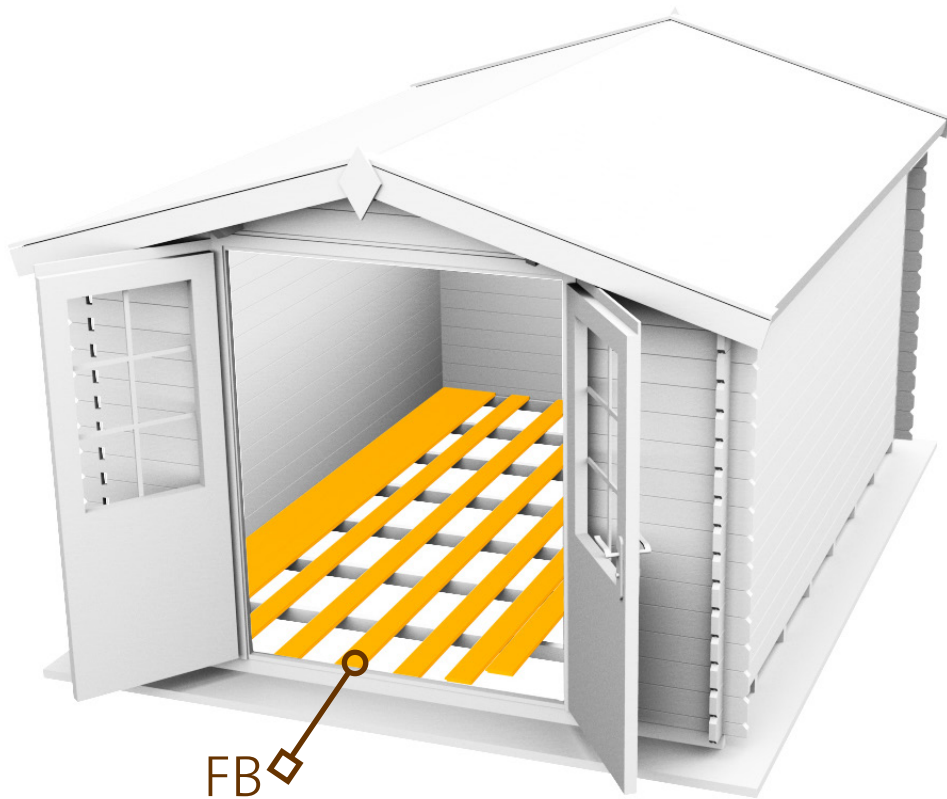
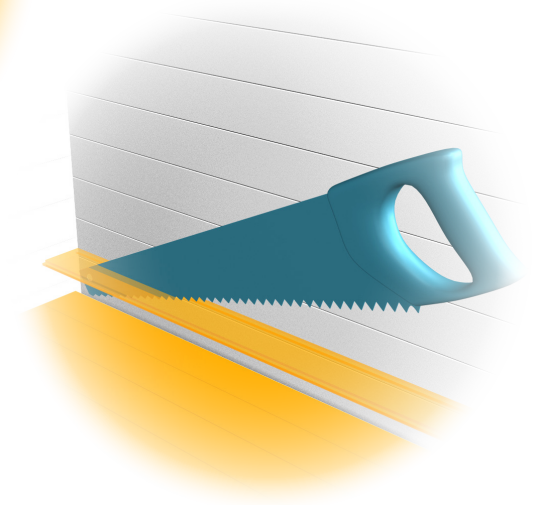


16 SCREWS INTO THE FIRST FLOORBOARD,
8 INTO EACH NEXT, SAW THE
LAST BOARD TO MAKE IT FIT.

4x50
× 224

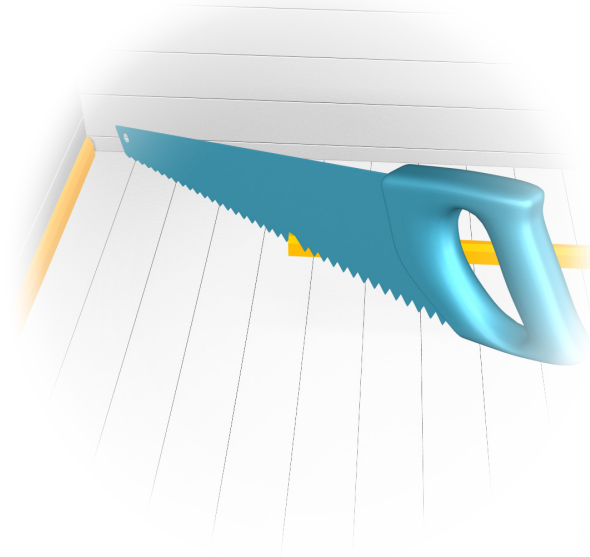
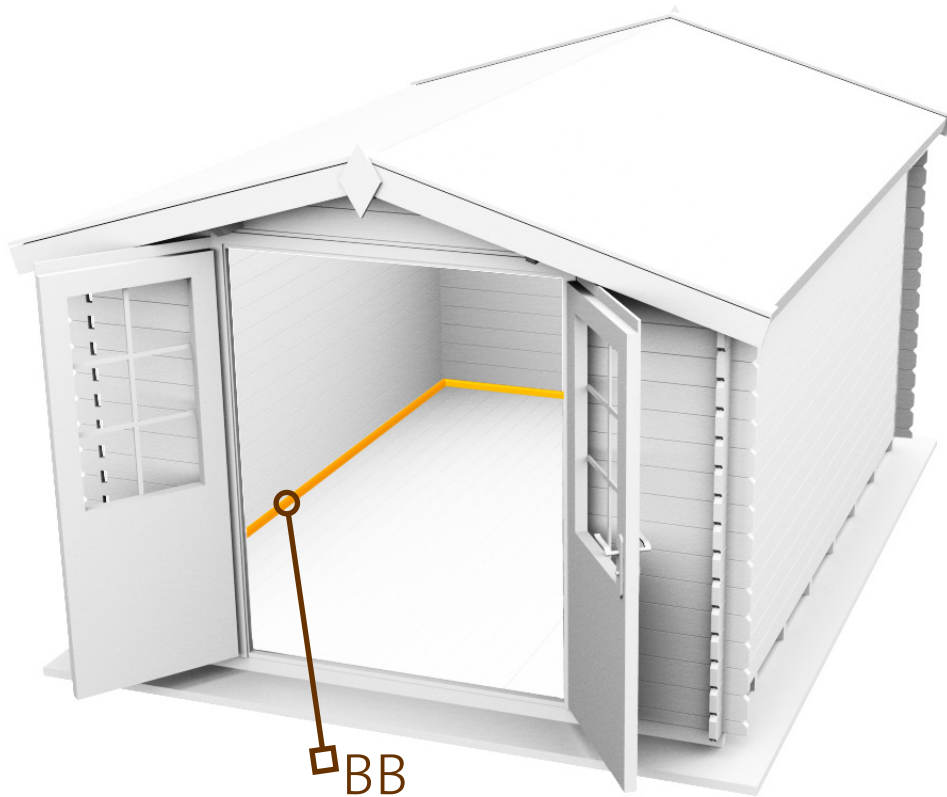


BENTE IV 28

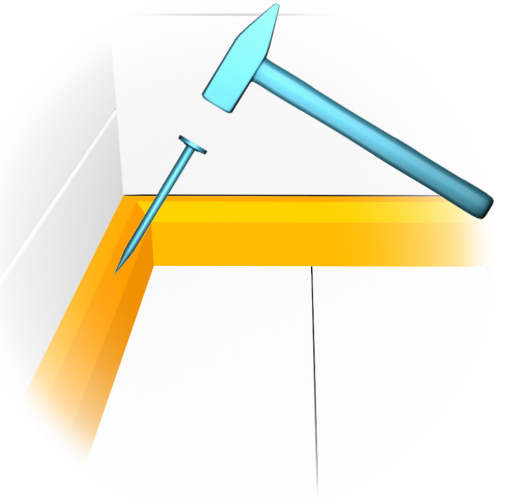


SAW THE **BASEBOARDS**
AND ATTACH WITH NAILS
AT **EVERY 0,5** METERS.

1,4×40
× 35



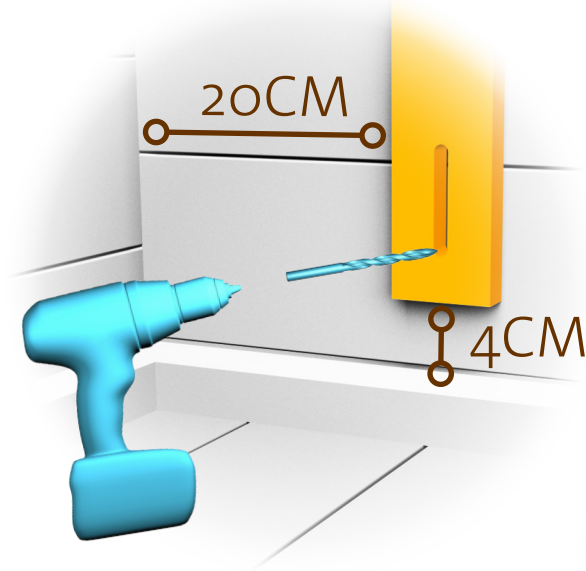
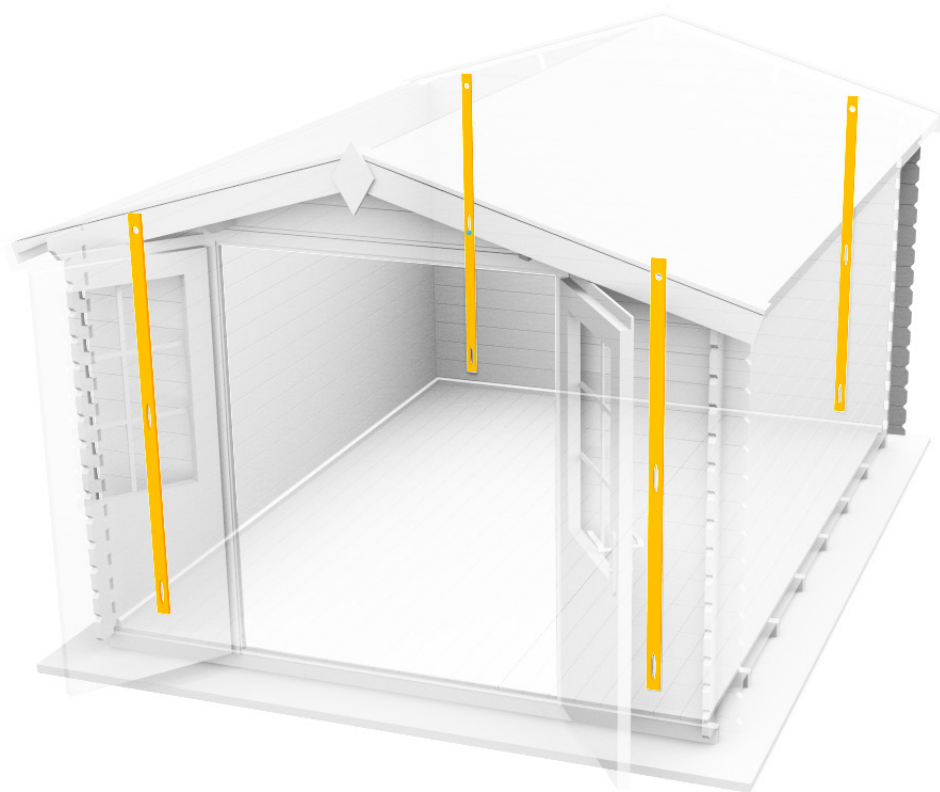
BENTE IV 28



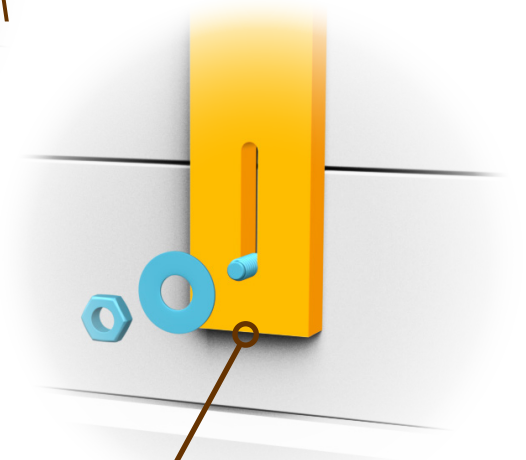
DRILL THROUGH THE WALL, HOLE MUST BE AT THE BOTTOM OF THE OVAL, ATTACH WITH BOLT.

M8x60 × 12

Ø 8 mm



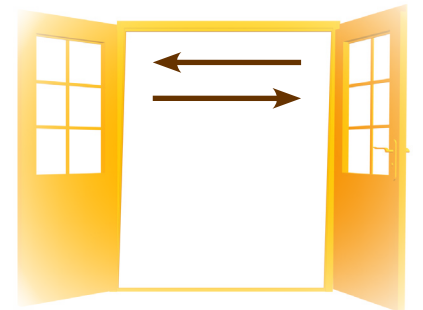
BENTE IV 28



WINDBOARD

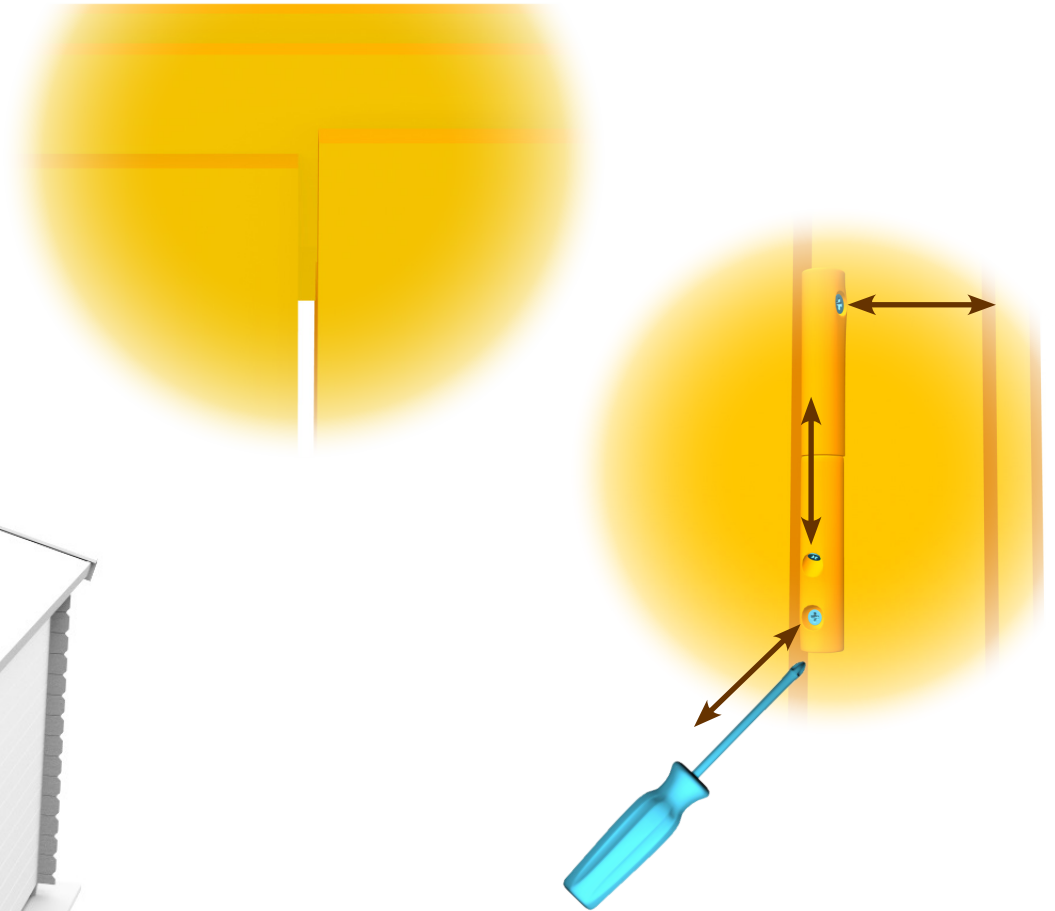
IF DOOR IS TILTED,
PUSH THE DOOR FRAME SO
THAT ALL CORNERS ARE 90° .

BENTE IV 28



IF **DOORS** ARE IN DIFFERENT HEIGHTS
OR THERE IS A GAP **BETWEEN** THEM,
ADJUST 3 SCREWS ON DOOR HINGES.

BENTE IV 28



WHEN THE **HOUSE** IS ASSEMBLED, YOU SHOULD **COVER** THE TIMBER WITH **WOOD** PROTECTIVE SEAL, PAINT OR **STAIN** AS SOON AS POSSIBLE TO AVOID DETERIORATION TO THE **WOOD**.

BENTE IV 28

